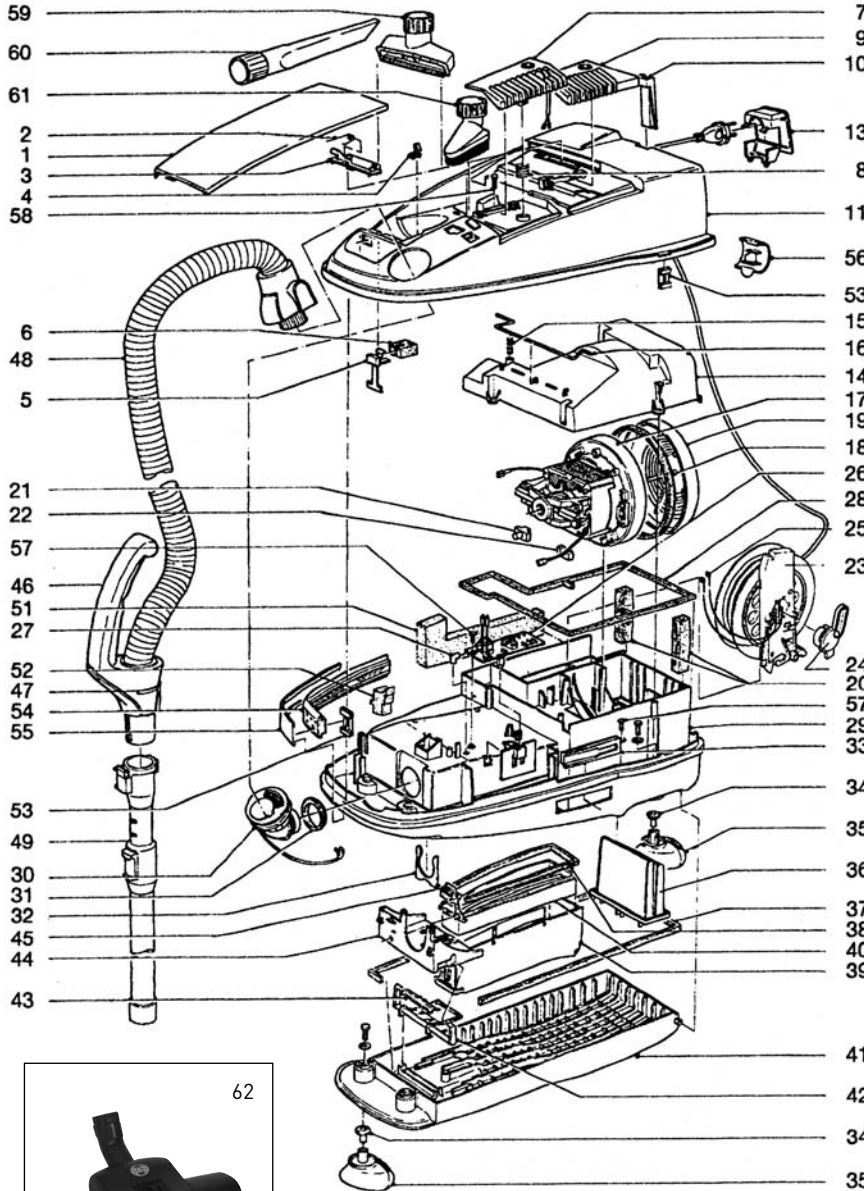


C2.1 AIRBELT SCHEMATIC AND PARTS LIST

9648 AM C2.1 (Teal)

9646 AM C2.1 (Red)



Canister with Handle/Hose

Teal Machine

Pos.	Part #	Description
1	6380 AM	Attachment cover - C2.1 teal
	6382 AM	C1.1 teal
2	6045	Spring
3	6168 DG	Bearing block / hinge
4	6117 ER	Attachment clip set of 3
5	6083 DG	Release button
6	6128	Foam seal
7	6309 TK	On/Off pedal (incl. Pos. 8)
8	6143	Spring
9	6006 TK	Seal
10	6008 DG	Parking holder, rear
11	6127 TK	Top Casing - C2.1 teal
13	6007 DG	Plug surround
14	6192	Motor cover
15	6023	Spring
16	6022	Rod
17	6165	Vacuum motor 120 V 1250 W
	5101	Carbon brush vac motor
18	6306	Seal, motor cover
19	6193	Motor cover
20	6188 ER	Rubber mounting (2 pcs.)
21	6173	Engine mounting
22	6189	Engine mounting
23	6368 US	Cable rewind unit
24	6293	Air Adapter
25	6291	Internal cable
26	6295 ER	Electronic Controller C2.1 120 V
27	6088	Elbow
28	6186	Seal
29	6197 DG	Bottom casing - dark gray
30	6319 UL	Suction neck
31	6014	Seal
32	6042 WS	Spring lock
33	6009 DG	Parking holder - side
34	6027 ER	Pin
35	6095 DG	Castor, complete
36	6191 AM	Hospital grade microfilter
37	6187	Seal, bag cover
38	6034	Seal, microfilter
39	6003 DG	Microfilter holder
40	6033 AM	Exhaust filter
	6108 AM	Carbon-anti-odor filter (optional)
41	6093 DG	Bag cover, complete
42	6036 DG	Cover release with seal
43	6039	Bearing cover
44	6094	Bag holder cpl. (incl Pos. 45)
45	6170 ER	Safety catch with spring
46	6300 HG	Handle grip cpl. - light gray
	6300 DG	Handle grip cpl. - dark gray
47	6303 HG	Retaining ring - light gray
	6303 DG	Retaining ring - dark gray
48	6355 AM	Hose with end couplings - 7 ft.
	6343 DG	Hose with end couplings - 6 ft.
49	1726 HG	Telescoping tube C2.1 - light gray
	6271 DG	Telescoping tube C2.1 - dark gray
51	6120/3	Foam seal
52	6213	Foam seal
53	6086 ER	Casing clip / set of 3
54	6046 UL	Foam bumper
55	6047 AM/01	AIRBELT textile cover - dark gray
56	6048 DG	AIRBELT clip
57	0102	Screw F 3.9 x 13
58	0199	Screw M4 x 12
59	1491 DG	Upholstery nozzle
60	1092 DG	Crevice nozzle
61	1329 DG	Dusting brush
62	6780 ER	Turbo head- dark gray (Standard with C2.1)
63	7200 DG	Premium Parquet nozzle-dark gray (Standard with C2.1)

Red Machine Exceptions

Pos.	Part #	Description
1	6383 AM	Attachment cover - C2.1 red
7	6309 DR	On/Off pedal (incl. Pos. 8)
9	6006 DR	Cable rewind pedal - red
11	6127 DR	Top casing - C2.1 red

C3.1 AIRBELT SCHEMATIC AND PARTS LIST

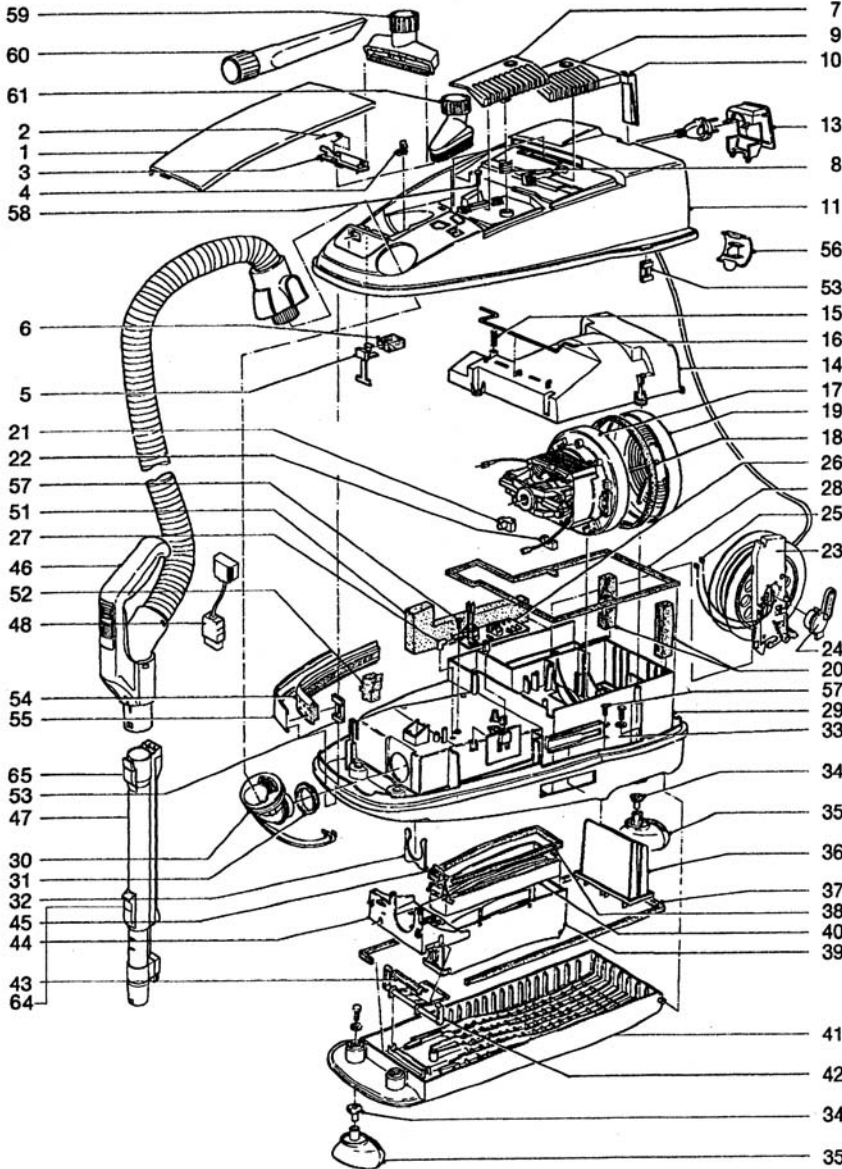
9630 AM C3.1 (White)

9652 AM C3.1 (Red)

Canister with Handle/Hose

White Machine

Pos.	Part #	Description
1	6215 AM	Attachment cover - white
2	6045	Spring
3	6168 DG	Bearing block / hinge
4	6117 ER	Attachment clip set of 3
5	6083 DG	Release button
6	6128	Foam seal
7	6005 GW	On/Off pedal (incl. Pos. 8)
8	6143	Spring
9	6006 GW	Cable rewind pedal
10	6008 DG	Parking holder, rear
11	6397 GW	Top casing C3.1 - white
13	6007 DG	Plug surround
14	6192	Motor cover
15	6023	Spring
16	6022	Rod
17	6165	Vacuum motor 120 V 1250 W
	05101	Carbon brush vac motor
18	6306	Seal, motor cover
19	6193	Motor cover
20	6188 ER	Rubber mounting (2 pcs.)
21	6173	Engine mounting
22	6189	Engine mounting
23	6368 US	Cable rewind unit
24	6293	Air Adapter
25	6291	Internal cable
26	6407 ER	Electronic Controller C3.1 120 V
27	6088	Elbow
28	6186	Seal
29	6197 GW	Bottom casing - white
30	6318 UL	Suction neck
31	6014	Seal
32	6042	Spring lock
33	6009 DG	Parking holder - side
34	6027 ER	Pin
35	6095 DG	Castor, complete
36	6191 AM	Hospital grade microfilter
37	6187	Seal, bag cover
38	6034	Seal, microfilter
39	6003 GW	Microfilter holder
40	6033 AM	Exhaust filter
	6108 AM	Carbon-Anti-odor filter (optional)
41	6093 GW	Bag cover, complete
42	6036 DG	Cover release with seal
43	6039	Bearing cover
44	6094	Bag holder, cpl. (incl Pos. 45)
45	6170 ER	Safety catch with spring
46	6348 AM	Handle w/hose C3.1, cpl. Light Gray - 6 ft.
	6349SE	Handle w/hose C3.1 & K3, cpl. Dark Gray - 6 ft.
	6349 AM	Handle w/hose C3.1 & K3, cpl. Dark Gray - 7 ft.
47	6270 DG	Telescoping tube C3.1
48	6369 DG	Mains cable - dark gray
	6369 UL	Mains cable - light gray
51	6120/3	Foam seal
52	6213	Foam seal
53	6086 ER	Casing clip / set of 3
54	6046 UL	Foam bumper
55	6047 AM/01	AIRBELT textile cover
56	6048 DG	AIRBELT clip
57	0102	Screw F 3.9 x 13
58	0199	Screw M4 x 12
59	1491 DG	Upholstery nozzle
60	1092 DG	Crevice nozzle
61	1329 DG	Dusting brush
63	7200 DG	Premium Parquet nozzle - dark gray [Standard with C3.1]
64	6421 DG	Slider button, cpl.
65	6420 DG	Tube release button, complete



Red Machine Exceptions

Pos.	Part #	Description
1	6383 C3	Attachment cover - C3.1 red
7	6005 DR	On/Off pedal (incl. Pos. 8)
9	6006 DR	Cable rewind pedal - red
11	6397 DR	Top casing - C3.1 red
29	6197 DG	Bottom Casing C3.1 - dark gray
41	6093 DG	Bag Cover cpl. - red

