



SEBO *duo* Brush Machine



ENGLISH

For Household Use Only

© Copyright SEBO America, LLC • All rights reserved.



SEBO *duo* Brush Machine Owner's Manual

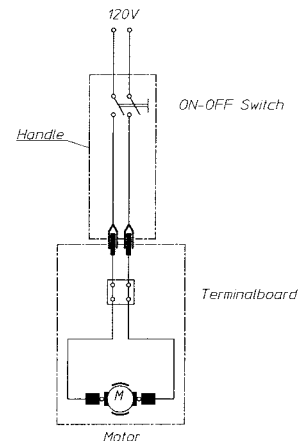
Table of Contents

Technical Details	2
Wiring Diagram	2
Important Safety Instructions	3
SEBO <i>duo</i> Carpet Cleaning System Product Features	4
The Advantages of using the SEBO <i>duo</i> Cleaning System.....	4
How it Works.....	4
The SEBO <i>duo</i> -P Powder.....	4
Identification of Parts	5
Standard Accessories	5
Assembly	5
Operating Instructions	6
How to Use the <i>duo</i> Cleaning System	7
To Clean the Entire Carpet	7
To Spot Clean Stains	7
Important Product Tips	7
Maintenance	8
Removing the Brushes.....	8
Cleaning the Brushes	8
Replacing the Brushes.....	8
Trouble-Shooting Guide	8
<i>duo</i> Brush Machine Schematic and Part Numbers	9
Warranty	10
How To Contact SEBO	10
Recommended Upright Vacuums	11
Recommended Canister Vacuums	12

Technical Details

Brush motor	1.8 amps
Width	14 inches
Height	4-11/16 inches
Body weight	11 lbs.
Brush speed	400 rpm
Cord length	40 feet
120 VAC	50-60 Hz

Wiring Diagram





IMPORTANT SAFETY INSTRUCTIONS

READ ALL INSTRUCTIONS BEFORE USING THIS MACHINE

When using an electrical appliance, basic precautions must always be followed.

To reduce the risk of electric shock, this brush machine has a polarized plug; one blade is wider than the other. This plug will fit in a polarized outlet only one way. If the plug does not fit fully in the outlet, reverse the plug. If it still does not fit, contact a qualified electrician to install the proper outlet. Do not change the plug in any way. Connect only to the outlet type specified on the serial number plate underneath the machine.

SAVE THESE INSTRUCTIONS.

WARNING: To reduce the risk of fire, electric shock, or injury:

1. Do not leave brush machine while plugged in. Unplug from outlet when not in use and before servicing.
2. Do not use outdoors or on wet surfaces.
3. Do not use near small children or pets. Do not allow to be used as a toy. Use of this product by children should always be supervised by an adult.
4. Use only as described in this manual. Use only manufacturer-recommended attachments.
5. Do not use with a damaged cord or plug. If brush machine is not working as it should, has been dropped, damaged, left outdoors, or dropped into water, take it to a SEBO service center.
6. Do not pull or carry by cord, use cord as a handle, close a door on cord, or pull cord around sharp edges or corners. Do not run machine over cord. Keep cord away from heated surfaces.
7. Do not unplug by pulling on cord. To unplug, grasp the plug – not the cord.
8. Do not plug in if switch is in the “I” (ON) position.
9. Do not use outlets above counters to plug in brush machine – damage to items in the surrounding area could occur.
10. Always carry the machine over steps and sills.
11. Do not handle plug or vacuum handle with wet hands.
12. Do not put any object into machine openings. Do not use machine with any openings blocked. Keep openings free of lint, hair, and anything that may reduce air flow.
13. Do not remove any screws from machine.
14. Do not run machine over anything that is burning or smoking, such as cigarettes, matches, or hot ashes.
15. Turn off all machine controls before unplugging.
16. Use extra care when cleaning on stairs.
17. Do not turn on the machine with the storage tray still attached.
18. Do not use machine to clean up flammable or combustible liquids such as gasoline or use in areas where they may be present.
19. Machines can cause a fire when operated near flammable vapors or materials. Do not operate this machine near flammable fluids, dust or vapors.
20. Maintenance and repairs must be done by qualified personnel.
21. Use only original SEBO replacement parts.
22. Do not use machine as a step.
23. Do not leave machine standing in one place with machine turned on. This may damage carpet.
24. Keep hair, loose clothing, fingers, and all parts of body away from machine openings and moving parts. Do not place fingers or other body parts under machine, unless it is unplugged.
25. Do not place the brush head over fringes on a carpet or rug.
26. Store the brush machine in a dry place at room temperature. When the machine is not in use, you should wrap the cord on the cable hooks.
27. Any other servicing should be performed by an authorized service representative.

WARNING!



The quality, condition, coating, texture, age and manufacturing technique of all floor surfaces vary. Therefore, machines with rotating brushes, including your SEBO *duo* brush machine, may damage some floor coverings or surfaces. Berber carpets, long shag, specialty and delicate or hand-woven carpets are particularly vulnerable to damage by rotating brushes. Always consult the materials supplied by your floor's manufacturer for information on proper upkeep and cleaning. **To ensure that your new SEBO *duo* brush machine is compatible with your floor coverings, please test the *duo*-P cleaner and brush machine on each type of carpeting in a small inconspicuous area to determine if any damage occurs. If damage occurs, stop using the brush machine and powder immediately!**

An operating machine should not stand stationary on the floor for inappropriate periods of time. Damage could occur. Do not run the machine on flooring not covered by carpet.



SEBO *duo* Carpet Cleaning System Product Features

Your SEBO *duo* Cleaning System is formulated to deep clean your entire carpet or spot clean stubborn stains without soaking your carpet. Dry cleaning is safer for most carpets – it will not shrink the carpet or cause water staining if applied unevenly. SEBO *duo*-P Cleaning Powder leaves no detergent residue to cause your carpet to resoil, and the carpet can be used immediately after cleaning.

Because this is a DRY cleaning process, the SEBO *duo*-P Cleaning Powder will not promote the growth of mold and fungus in your carpet and pad that wet extraction systems may cause. In addition, the GAF allergy research center in Germany found in a long term test that, six months after a single cleaning with *duo*-P, seven out of ten carpets remained free of dust mite allergens.

The Advantages of using the SEBO duo Cleaning System are:

- No detergent residue
- Alleviates house dust allergies
- Easy spot cleaning
- A built-in fiber protector helps to protect your carpet against future stains and soil
- No shrinkage or mildew
- No need to move furniture
- Cleans most types of carpets
- Immediate use of the carpet

How it Works:

The SEBO *duo*-P Cleaning Powder is made up of granules that are moistened with detergent and is environmentally friendly and safe to use. When the granules are worked into the carpet fiber, soil and stains are lifted out of the carpet by the *duo*-P powder. The duo Brush Machine lifts the carpet pile ensuring all surfaces of the fiber are cleaned, leaving your carpet revived and softer. After vacuuming, the *duo*-P powder is removed, and your carpet is left clean, dry and ready for use.

An added advantage in using *duo*-P Cleaning Powder on your carpet is that once applied, a built-in fiber protector will help to protect against future damage from soiling or staining.

The duo-P Cleaning Powder:



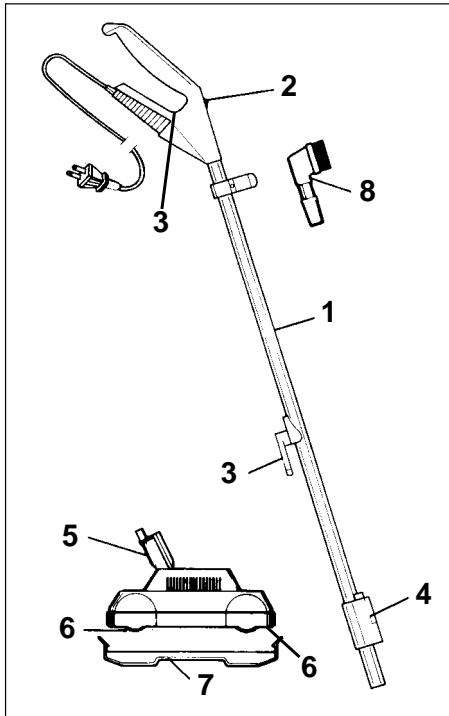
Refill boxes are available as a single (1.1 lb.) or a multiple with five (1.1 lb each) packs. Each single pack can cover up to 250 square feet of carpet.



The SEBO *duo*-P Clean Box contains a 1.1 lb. pack in an environmentally friendly refillable container, and the underside of the lid has a built-in brush for spot cleaning! When you have used the contents, you can replace the inner bag with an inexpensive refill pack of *duo*-P Cleaning Powder.

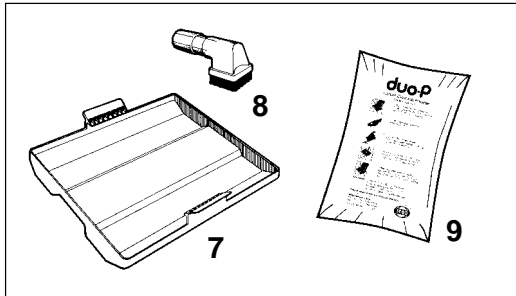


The SEBO *duo* Accessory Brush is perfect for cleaning small areas such as entryways and stairs.



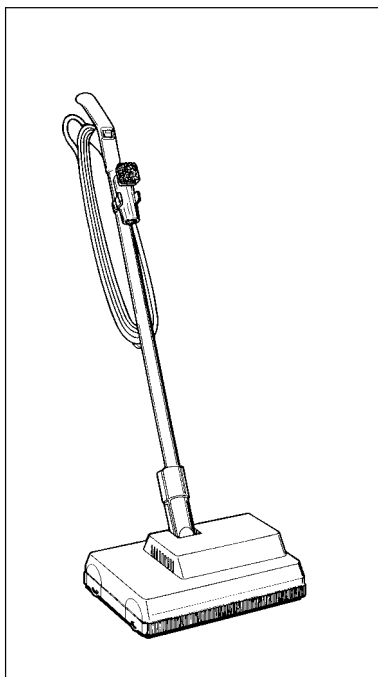
Identification of Parts

1. Handle
2. On/Off switch
3. Cable hooks
4. Handle connector
5. Swivel neck
6. Brushes
7. Storage tray
8. Spot cleaning brush



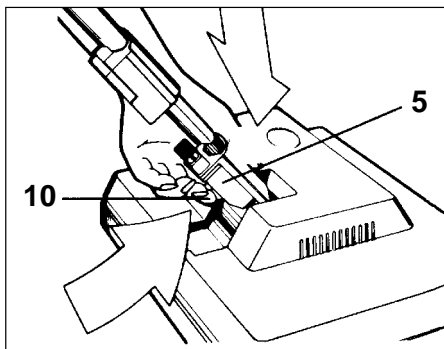
Standard Accessories

7. Storage tray
8. Spot cleaning brush
9. duo-P Cleaning Powder



Assembly

Press the plunger button (10) and insert the handle (1) into the swivel neck (5). With the plunger button released, the handle should remain firmly engaged. Pushing the handle forward sets the handle into the storage position. Pulling back releases the handle into the operating position.



Operating Instructions

A. Before turning on your brush machine, remove the machine from the storage tray (7) by pressing down the catch (15) and lifting the machine upwards by the handle (figure 1).

To replace the machine into the storage tray after use, first unplug the machine, then lower the head onto the tray until the tray snaps into place (figure 2).

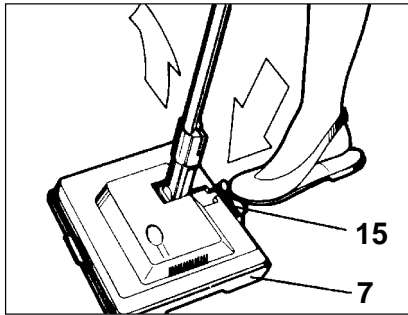


Figure 1

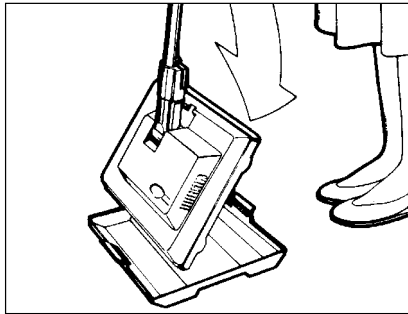
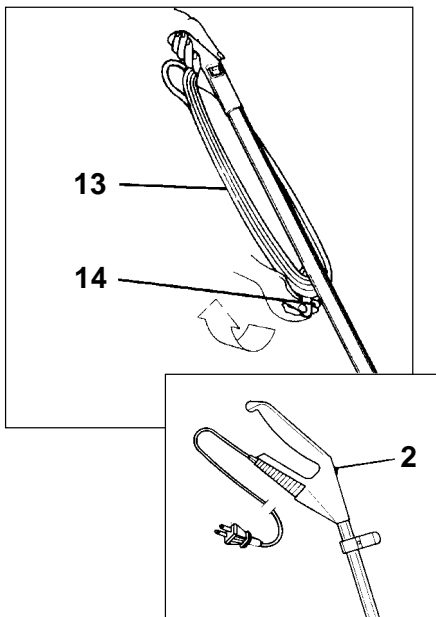


Figure 2

Starting The Machine

B. Before turning on your brush machine, make sure that the storage tray has been removed (see above) and that you have a firm hold on the handle grip to keep the machine from moving forward.

1. Turn the quick release cable hook (14) to the up position by moving it to the left or right.
2. Release the power cord plug from the power cord and lift the cord (13) off of the upper cord hook.
3. With the switch (2) in the "O" (OFF) position, plug the polarized power cord into a 120 volt outlet located near the floor.



Switch Position

O = OFF

I = ON

How to use the *duo* Cleaning System

To Clean the Entire Carpet - *Figures 1, 2 & 5*



Figure 1

First, vacuum your carpet prior to applying *duo*-P Powder. Then, spread *duo*-P Cleaning Powder evenly over the carpet. This can be done by spreading the powder directly out of the bag, or by spreading the powder by hand. Distribute the powder lightly, but evenly, over the area to be cleaned (figure 1). You need not use an excessive amount of powder for effective cleaning.



Figure 2

Work the powder into the carpet using the SEBO *duo* Brush Machine, which opens the carpet pile enabling the *duo*-P powder to clean around each separate fiber (figure 2).

Once the *duo*-P powder has absorbed all of the dirt and the area is dry to the touch (approximately 30 minutes), simply vacuum the area thoroughly (figure 5).

To Spot Clean Stains - *Figures 3, 4 & 5*



Figure 3

Vacuum any loose dirt or debris from area. If soiled area is wet, use white paper towels to absorb all moisture from the carpet. This will prevent the powder from “caking up” on the carpet and the brush. Then, spread a small amount of *duo*-P powder onto the soiled area.

Gently work the powder into the carpet using the spot cleaning brush (page 5, #8), the brush provided with the SEBO Clean Box (figure 3), or the the accessory brush (figure 4). Older or more stubborn stains may require further treatments. Simply repeat the process until the stain is completely removed.

Once the *duo*-P powder has absorbed all of the dirt and the area is dry to the touch (approximately 30 minutes), simply vacuum the area thoroughly (figure 5).



Figure 4

Important Product Tips:

- For best results, vacuum carpet prior to applying *duo*-P powder.
- Check a small, inconspicuous area of the carpet for colorfastness.
- Absorb any moisture from carpet using white paper towels before applying *duo*-P powder.
- Open window to speed drying.
- Reseal package after opening to maintain moisture. To ensure longer life of the powder, seal all opened packages inside of a zip-lock bag.
- Only moist powder will effectively clean. If powder becomes dry before it is used (e.g. powder left in an opened package), it will no longer work.
- Before using the SEBO *duo*-P Powder on your carpets, please read all instructions and warnings provided with the powder *and* all the instructions and warnings in this manual.
- Limited suitability for berber and needlepunch carpets.
- **Use caution if cleaning berber or looped pile carpeting with the brushing machine or when using the hand brushes. Test an inconspicuous area to determine suitability. Do not used on hand-woven or dyed carpeting. Check with the carpeting manufacturer for approved cleaning methods.**



Figure 5

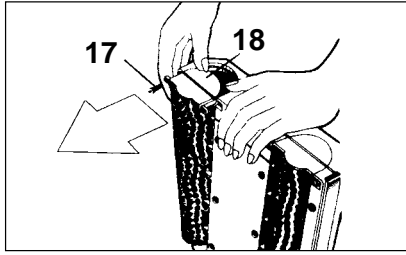


Figure 7

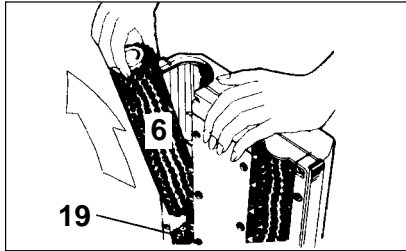


Figure 8

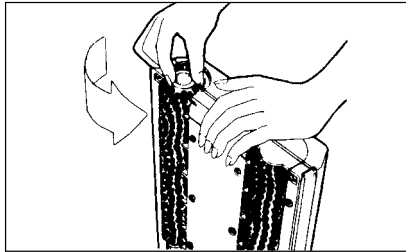


Figure 9

Maintenance



Always unplug brush machine from outlet before dismantling any part of machine!

Removing the Brushes to Change or Clean - *Figures 7 & 8*

Remove the brushes (6), by unscrewing the two screws (17) at the end of each brush from the bearing block (18). Do not remove the screws that are recessed. Push the top of the brush and the block forward at the same time. Take the block off the brush, then, lift the brush upwards out of the brush housing.

Cleaning the Brushes

The brushes must be removed from the machine to be thoroughly cleaned. See instructions above for removing the brushes. Clean by running your SEBO vacuum's suction hose, with crevice tool attached, up and down each brush to remove dirt and powder. Some carpet fibers, dirt and debris may require removal by hand. Replace the brushes - see instructions below.

A cursory cleaning of the brushes may be done without removing them, by unplugging the machine, turning the brush rollers upright, and using your vacuum's suction hose, with crevice tool attached, to remove the loose dirt or powder.

Replacing the Brushes - *Figures 8 & 9*

To replace each brush, insert the end with the slots into the housing and locate the slots over the drive cog (19) by turning the brush. Push the brush forward slightly to enable the bearing block (18) to be replaced, then push the block back into place in the brush housing and replace the two screws (17).

One Replacement Brush
Part #3005 ER

Trouble-Shooting Guide



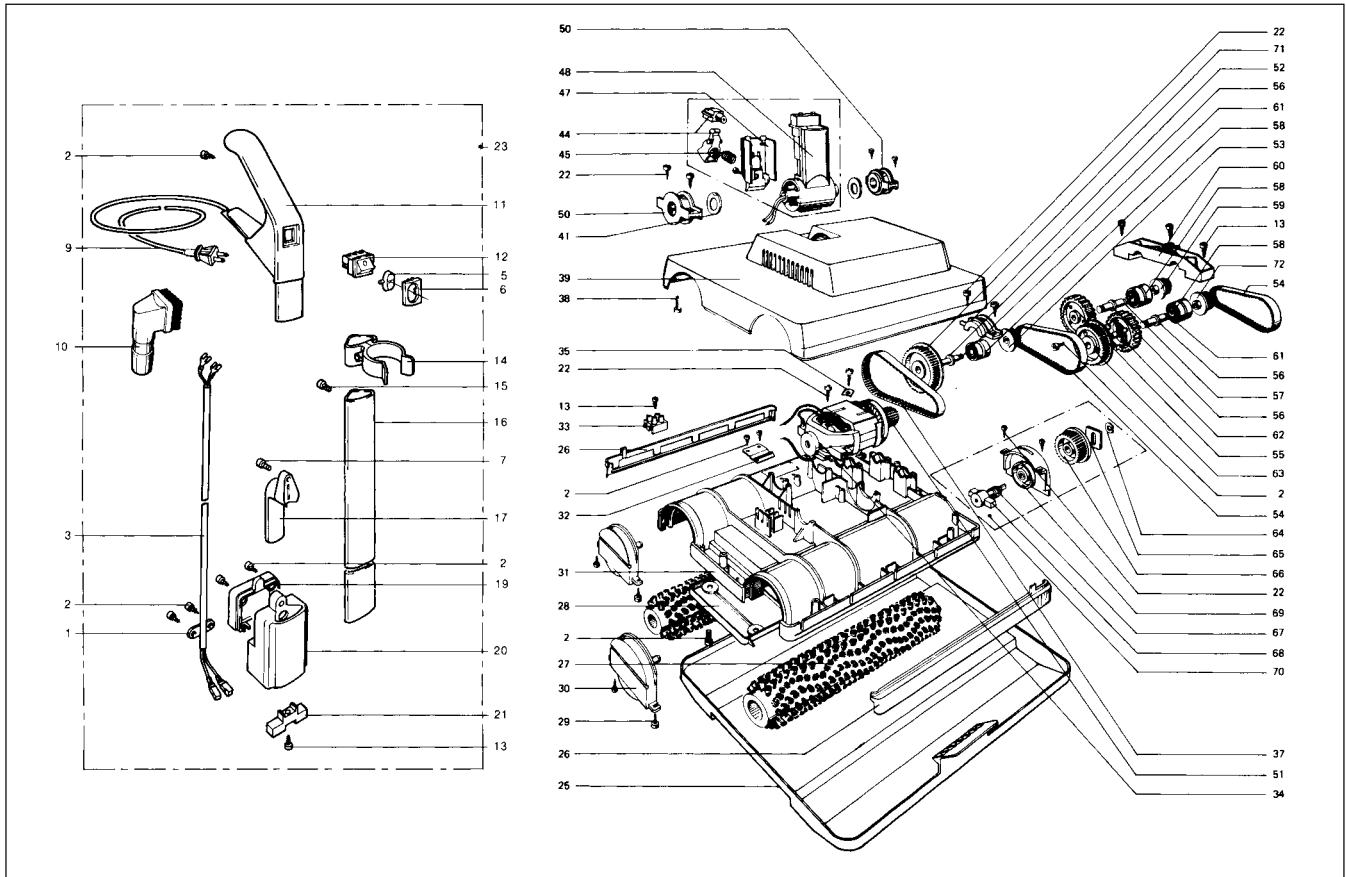
Always unplug brush machine from outlet before dismantling any part of the machine!

PROBLEM	REASON	SOLUTION
Does not turn on or machine shuts off intermittently	1. Handle not fully inserted into the housing, causing a faulty connection.	1. See page 5 for how to insert handle.
	2. Not plugged into good outlet.	2. Use another outlet.
	3. Cable worn.	3. Replace cable.
	4. Brush has not been reinserted properly.	4. See page 8 for how to replace brush.
	5. Defective switch.	5. Return to your authorized SEBO dealer for repair.



SEBO duo Brush Machine

Schematic and Parts List



Pos.	Part #	Description
1	1030 UL	Cable clamp
2	0106	Screw 3.9 x 13 A2
3	3125	Handle cable
5	3137 DG	Switch cap
6	3136 HG	Switch cap holder
7	0127	Screw tapitite M4 x 10
9	5353 HG	Cable
10	3055 HG	Spot cleaning brush
11	3142 HG	Handle grip
12	0532 ER	Rocker switch
13	0105	Screw 3.9 x 19
14	5352 HG	Clamp
15	0129	Screw tapitite M4 x 12
16	3115	Handle
17	3118 HG	Cable hook
19	3027 HG	Handle connector cover
20	3113 HG	Handle connector
21	1020 UL	Contact cover
22	0103	Screw 3.9 x 16
23	3122/H	Handle cpl.
25	3033	Storage tray
26	2007 MG	Bumper
27	3005 ER	Brush assembly
28	3002 SW	Base plate
29	0112	Screw M4 x 10 A2
30	3010 HG	Bearing block RH
31	3001 HG	Brush housing
32	3032	Handle stop spring
33	0502	Terminal block
34	3049 ER	Motor 120 V
	05084 S	Carbon brush set
35	0141	Locking washer

Pos.	Part #	Description
37	3038	Drive belt
38	0116	Screw M4 x 30 A2
39	3004 SE	Cover
41	0149	Spacer washer
44	2438 HG	Plunger button, complete
45	2423	Spring
47	2022 HG	Swivel neck cover
48	3111 HG	Swivel neck complete
50	3051	Swivel neck support
51	3014	Motor pulley
52	3030	Clamp
53	3013	Pulley
54	3042	Drive belt
55	3022	Gear wheel
56	3036	Spacer
57	3037	Shaft RH
58	0222	Ball bearing
59	3015	Pulley
60	3039	Bridge
61	3035	Shaft LH
62	3021	Gear wheel
63	3018	Pulley
64	3071	Clip
65	3040	End plate
66	3009	Pulley
67	3028	Spring
68	3007	Brush drive cog
69	3074 HG	Bearing block
70	3052 HG	Bearing block assembly LH
71	3017	Pulley
72	3056	Pulley 12R/Ms



SEBO *duo Brush Machine Warranty*

Three Years Non-Wear Parts - One Year Labor

1. Your authorized SEBO dealer or SEBO will provide the original product purchaser with replacement of Non-Wear Parts which fail due to a material or workmanship defect for a period of three (3) years from the original date of purchase of new product.
2. Your authorized SEBO dealer or SEBO will repair (or SEBO will cover labor charges associated with repair) a defective SEBO Brush machine at no cost to the original purchaser, within one (1) year of original purchase of new product.
3. SEBO America, Floor Care Equipment, Ltd., or an authorized SEBO dealer must complete all warranty repairs.
4. To locate an authorized SEBO dealer in your area, or to register a warranty claim in the **United States of America, please call SEBO America at (800) 334-6614.**
5. To locate an authorized SEBO dealer or to register a warranty claim in **Canada, please call Floor Care Equipment, Ltd. at (800) 661-8687.**
6. The warranties provided for above apply exclusively to SEBO Brush Machines which are used residentially. No warranty is provided for SEBO Brush Machines used commercially.
7. The Wear Parts excluded from warranty coverage include the cable (external cord), the brush rollers and the spot cleaning brush.
8. This warranty applies only while your SEBO Brush Machine is physically located within the United States of America and its territories or Canada.
9. The purchase receipt showing the date, price, and item of purchase is the initial document of proof of purchase and determines the validity of warranty. To be certain that your warranty claim can be processed as quickly and efficiently as possible, please retain your original purchase receipt and mail in the warranty card provided with your new SEBO Brush Machine.
10. This warranty gives you specific legal rights. You may also have other legal rights, which vary from state/province to state/province.
11. SEBO America will not process nor will it accept responsibility for warranty claims for machines purchased from dealers located in Canada. Floor Care Equipment, Ltd. will not process nor will it accept responsibility for warranty claims for machines purchased from dealers located in the United States.

EXCLUSIVE REMEDY:

The remedies provided under the terms of this Warranty are the purchaser's exclusive remedies and are in lieu of any other remedies otherwise available.

THE WARRANTY DOES NOT COVER:

- Used or secondhand products.
- Products outside of the warranty period.
- Items not manufactured by SEBO.
- Normal maintenance service.
- Equipment damaged by improper use, accident, other casualty or negligence.
- Machines equipped with nonauthorized attachments or modifications.
- Machines on which the serial number has been altered or removed.

LIMITATIONS AND EXCLUSIONS:

SEBO MAKES NO OTHER REPRESENTATIONS OR WARRANTIES, EXPRESSED OR IMPLIED AND SPECIFICALLY EXCLUDES THE IMPLIED WARRANTIES OF MERCHANTABILITY AND FITNESS FOR PARTICULAR PURPOSE.

SEBO WILL NOT BE LIABLE FOR INCIDENTAL OR CONSEQUENTIAL DAMAGES OF ANY KIND OR NATURE.

THIS DISCLAIMER OF IMPLIED WARRANTIES SHALL NOT APPLY TO THE EXTENT SAID DISCLAIMER IS NOT ALLOWED BY APPLICABLE STATE/PROVINCIAL LAW.

To contact SEBO in the United States of America:

SEBO America, LLC
Telephone: (800) 334-6614 • (303) 792-9181
Fax: (303) 792-9196
E-mail: info@sebo-vacuums.com
Website: www.sebo.us

To contact SEBO in Canada:

Floor Care Equipment, Ltd.
Telephone: (800) 661-8687 • (403) 250-5005
Fax: (403) 250-5057
E-mail: fcequip@shaw.ca



SEBO Upright Vacuums:

Recommended for use with the *duo-P* Cleaning System

Powerful, practical and easy to use.

SEBO *automatic* X-Series

Automatic Height Adjustment: From Hard Floor to Carpet.

The SEBO *automatic* X-Series vacuum cleaner is the most technically advanced upright vacuum cleaner in the world. Its ability to monitor the resistance of the brush roller against the floor allows it to raise or lower the power head automatically to the proper cleaning height. This guarantees optimal cleaning performance on all types of carpet and flooring and protects the floor from damage.

The Intelligent Design of the SEBO *automatic* X ensures that the cleaning of hard floors, as well as carpets, is highly effective. The sealing strip on the bottom of the machine stops the kickback of dirt and channels the air-flow through the remaining three sides, increasing the cleaning performance.

The electronic controls identify the floor type and the resistance against the brush roller, raising or lowering the brush automatically.



The 3-step filtration system used in ALL SEBO Vacuums:

First, the three-layer, full-size filter bag collects the vast majority of the debris.

Then, any remaining particles are collected by the hospital-grade micro-hygiene filter.

Finally, the micro-exhaust filter cleans the exhaust air that the vacuum emits.

The S-class filtration system* as described above, results in 99.9% effectiveness to 0.3 microns making the SEBO *automatic* X-Series vacuums the perfect choice for customers who suffer from allergies and asthma.

*Measurement SLG/Chemnitz
SEBO uses only fiberglass-free filters



SEBO X5 - Extra cleaning width



SEBO X4

Belts that last a lifetime.

The reinforced toothed belt on the SEBO *automatic* X-Series vacuums will not slip or stretch resulting in a more efficient use of power and will last the life of the machine.

More X-series features:

- SEBO's 3-step hospital-grade filtration system
- Flat-to-the-floor profile
- Electronic control panel
- 40-foot cord

SEBO 370 - User friendly.

- SEBO's 3-step hospital-grade filtration system
- Adjustable, electronically protected brush
- Telescopic hose conveniently on-board
- Brushing right to the edge
- Replaceable Brush Strip
- Flat-to-the-floor profile
- On-board Attachments
- Two Motors





SEBO *air belt* C-Series:

Recommended for use with the *duo-P* Cleaning System

Designed by cleaning professionals.

Professional users worldwide prefer SEBO, with good reason! Our success is due to our innovative products and our strong focus on quality. Modern technology, state-of-the-art design and consistent customer focus are found in all SEBO products. Try a SEBO canister vacuum cleaner and you will be impressed by the outstanding cleaning power, its first-class filtering system and, of course, ease of use.

Special features of the SEBO *air belt* C-Series Vacuums:

- SEBO's 3-step hospital-grade filtration system
- Durability - SEBO canisters are made to last
- FULL-SIZE, on-board Tools
- Rubber coated wheels prevent damage to floors and rotate 360° for easy maneuverability
- Quick-release for ease of brush head change
- Large control switches for power & cord retractor
- High-quality telescopic tubes that provide convenient handle-height adjustment
- FULL-SIZE dust Bag
- 34-foot operating range

The SEBO *air belt* C-Series vacuums deliver powerful, effective cleaning on all floor surfaces. Choose from three high-power models:

The SEBO *air belt* C1.1 is a straight-suction vacuum equipped with the versatile Combo Head for use on both hard floors and carpet.

The SEBO *air belt* C2.1 is a straight-suction vacuum that comes with two specialized standard accessory tools: the Turbo Head for the cleaning of carpets and rugs and the Parquet Brush for use on hard floors.

The SEBO *air belt* C3.1 includes an electrified telescopic tube designed to accommodate the optional ET-H or the ET-C power head, for thorough brushing and optimal cleaning of your carpet. It also offers suction control at the handle and the Parquet Brush for hard floors.

Choose the power head for your C3.1



ET-H Power Head
optional for the C3.1.



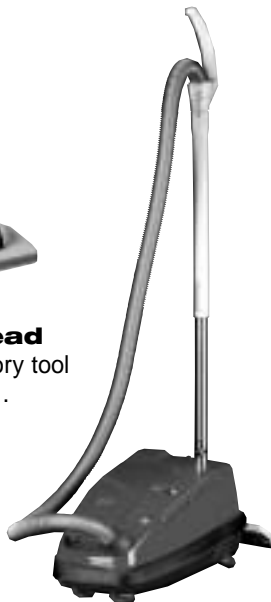
ET-C Power Head
optional for the C3.1.



SEBO *air belt* C1.1



Combo Head
standard accessory tool
for the C1.1.



SEBO *air belt* C2.1



Parquet Brush
standard accessory
tool for the C2.1
and the C3.1.



Turbo Head
standard accessory
tool for the C2.1.



SEBO *air belt* C3.1