



SEBO FELIX
PREMIUM & KOMBI

MADE IN GERMANY

OWNER'S MANUAL

For Household Use Only



FELIX PREMIUM



FELIX KOMBI



TABLE OF CONTENTS

Technical Details	2
Important Safety Instructions	3
Special SEBO Product Features	4
S-Class Filtration	4
Bag Full or Clog Warning – Auto Shut-Off	4
FELIX Flexibility	4
Identification of Parts	5
Assembly	5
Optional Attachments	5
Standard Attachments	5
Power Heads and Floor Tools	5
Operating Instructions	6
Starting the Machine	6
Operating the Machine	6
Using the Hose Handle & Attachments	6
Detachable Suction Unit	6
Additional Operating Instructions for FELIX Premium with ET Power Head	7
Operating with the ET Power Head	7
The Brush Height Adjustment Feature	7
Indicator Lights	7
ET Power Head Maintenance	8
Removing the Brush Roller	8
Cleaning the Brush Roller	8
Use and Maintenance of Floor Tools and Brushes	8
The Premium Parquet Brush	8
The Kombi Nozzle	8
The Turbo Head	8
Vacuum Maintenance	9
Changing the Filter Bag	9
Changing the Motor Protection Filter	9
Changing the Exhaust Filter	9
Clog Removal	10
Clogs in the Hose	10
Clogs in the Swivel Neck	10
Clog Removal in the ET Power Head	10
Clogs in the Airflow Pathway	10
Clogs in the Swivel Neck	10
Trouble-Shooting Guide	11
Additional Trouble-Shooting Guide for ET Power Heads	12
Ice Blue Premium/Kombi - Bag Housing with Handle Schematic and Part Numbers	13
Ice Blue Premium - 12" Power Head (ET-1) Schematic and Part Numbers	14
Ice Blue Premium- 15" Power Head (ET-2) Schematic and Part Numbers	15
Fun Premium/Kombi - Bag Housing with Handle Schematic and Part Numbers	16
Fun Premium - 12" Power Head (ET-1) Schematic and Part Numbers	17
Classic Premium/Kombi - Bag Housing with Handle Schematic and Part Numbers	18
Classic Premium - 12" Power Head (ET-1) Schematic and Part Numbers	19
Warranty	20
How To Contact SEBO	20

TECHNICAL DETAILS - VACUUM

Vacuum motor	1300 Watts
Water lift (at motor)	90 inches
Airflow (at motor)	102 CFM
Filter bag capacity	.92 gallon
Sound level	68 dBA
Body weight (depending on the attachment)	9.9 - 15.8 lbs
Motor protection	thermal cut-out
Cord length	32 feet
Range	34.5 feet

TECHNICAL DETAILS - ET POWER HEADS

	ET-1	ET-2
Brush motor	175 Watts, 1.6 Amps	200 Watts, 1.8 Amps
Width	12 inches	15 inches.
Weight	5.4 lbs.	5.7 lbs.
Brush roller	Replaceable	Replaceable
Brush drive	Toothed belt with electronic overload protection	Toothed belt with electronic overload protection

IMPORTANT SAFETY INSTRUCTIONS



READ ALL INSTRUCTIONS BEFORE USING THIS MACHINE

When using an electrical appliance, basic precautions must always be followed.

To reduce the risk of electric shock, this vacuum cleaner has a polarized plug; one blade is wider than the other. This plug will fit in a polarized outlet only one way. If the plug does not fit fully in the outlet, reverse the plug. If it still does not fit, contact a qualified electrician to install the proper outlet. Do not change the plug in any way. Connect only to the outlet type specified on the serial number plate underneath the machine.

SAVE THESE INSTRUCTIONS.

WARNING: To reduce the risk of fire, electric shock, or injury:

1. Do not leave vacuum while plugged in. Unplug from outlet when not in use and before servicing.
2. Do not use outdoors or on wet surfaces.
3. Do not use near small children or pets. Do not allow to be used as a toy. Use of this product by children should always be supervised by an adult.
4. Use only as described in this manual. Use only manufacturer-recommended attachments.
5. Do not use with a damaged cord or plug. If vacuum is not working as it should, has been dropped, damaged, left outdoors, or dropped into water, take it to a SEBO service center.
6. Do not pull or carry by cord, use cord as a handle, close a door on cord, or pull cord around sharp edges or corners. Do not run vacuum over cord. Keep cord away from heated surfaces.
7. Do not unplug by pulling on cord. To unplug, grasp the plug – not the cord.
8. Do not plug in if power switch is in the “ON” position.
9. Do not use outlets above counters to plug in vacuum – damage to items in the surrounding area could occur.
10. Always carry the vacuum over steps and sills.
11. Do not handle plug or vacuum handle with wet hands.
12. Do not put any object into vacuum openings. Do not use machine with any openings blocked. Keep openings free of lint, hair, and anything that may reduce air flow.
13. Do not re-use filter bags or wash the filters.
14. Do not remove any screws from vacuum.
15. Do not vacuum up anything that is burning or smoking, such as cigarettes, matches, or hot ashes.
16. Do not use vacuum without filter bag and/or filters in place.
17. Turn off all machine controls before unplugging.
18. Use extra care when cleaning on stairs.
19. Do not use machine to vacuum up flammable or combustible liquids such as gasoline or use in areas where they may be present.
20. Machines can cause a fire when operated near flammable vapors or materials. Do not operate this vacuum near flammable fluids, dust or vapors.
21. Maintenance and repairs must be done by qualified personnel.
22. Use only original SEBO replacement parts.
23. Do not use vacuum as a step.
24. Do not use the handle assembly (5), which inserts into the top of the filter bag housing, to carry the machine. The carrying handle is located on the side of the machine.
25. If vacuum is used on plush carpet or carpet with thick padding, do not leave machine standing in one place with machine turned on.
26. While the vacuum is in use, the power cord should be unwound from the cable reel at least two thirds of its length.
27. Keep hair, loose clothing, fingers, and all parts of body away from vacuum openings and moving parts. Do not place fingers or other body parts under vacuum unless it is unplugged. Do not touch the brush roller while the machine is plugged in.
28. Do not place the power head over rug or carpet edges.
29. The vacuum has a manual reset thermal protector. The protector is reset by switching off the vacuum. The thermal protector needs some time to cool down after switching off! Turn off the machine and unplug it before trouble shooting. Check the vacuum for air blockages or mechanical failures before switching on.
30. Store the vacuum in a dry place at room temperature. When the vacuum is not in use, you should rewind the cord onto the cord reel.
31. Any other servicing should be performed by an authorized service representative.
32. The hose contains electrical wires. Do not use if damaged, cut, or punctured. Avoid picking up sharp objects.
33. Always unplug vacuum before connecting or disconnecting either hose or power head.
34. Use a SEBO power head only in combination with a SEBO vacuum cleaner.
35. Do not connect power head to a malfunctioning or damaged vacuum.

SPECIAL SEBO PRODUCT FEATURES

Your SEBO FELIX vacuum is among the most technically advanced vacuum cleaners in the world. Some of its unique features are:

- **S-Class Filtration.** Certified by leading Allergy foundations in Europe, the FELIX vacuum provides the user with S-Class filtration of 99.9% of particles to 0.3 microns. This is accomplished by the SEBO three-step filtration system. First, the three-layer full-size filter bag (A) collects the vast majority of the debris. Then, the remainder of the particles are collected by the motor protection filter (B) which is positioned underneath the filter bag. Finally, the electrostatic exhaust filter (C) cleans the exhaust air that the vacuum emits. With 250 square inches of surface, the exhaust filter absorbs even the smallest particles. SEBO's unwavering attention to the complete sealing of the machine ensures no dirt escapes around the filters. If the filters are changed regularly (every 10-20 bags), the FELIX is perfect for allergy or asthma sufferers.

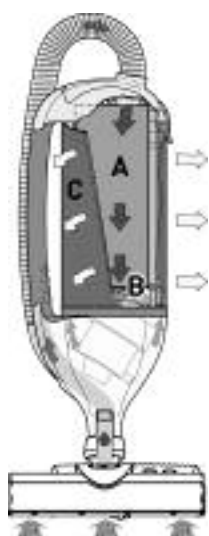
- **Bag Full or Clog Warning Light – Auto Shut-Off.** If the vacuum's air flow pathway becomes restricted due to a full bag or the existence of a clog, the orange "BAG FULL OR CLOG" indicator will display. If the user ignores this warning, the suction motor will heat up due to the lack of cooling provided by the airflow. Once the motor reaches a certain temperature it will shut off to protect itself from damage. The user should turn the switch off, unplug the machine and immediately insert a new bag or remove the clog (to remove a clog, refer to the Clog Removal section on page 10). After approximately 30 minutes, the motor will have cooled and the vacuum can be restarted. If the airflow is still restricted, the "BAG FULL OR CLOG" indicator will again display and the machine will shut off.

- **FELIX Flexibility.** The unique design of the FELIX offers flexibility and ease of use:

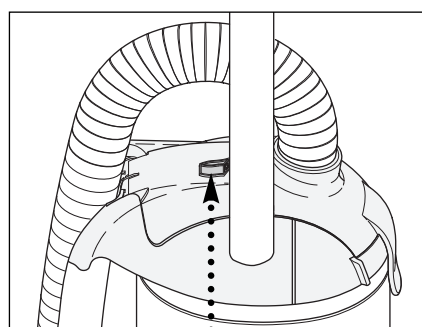
D. Detachable Suction Unit. When detached from the power head or floor tool, the FELIX transforms itself into a lightweight, powerful suction unit, which can be carried around using its comfortable carrying handle. Ideal for cleaning stairs, car interiors or upholstery.

E. Turning swivel neck – on-hand maneuverability. The swivel neck of the FELIX gives 90° vertical and 180° horizontal movement, providing superb maneuverability for easy cleaning around and under obstacles.

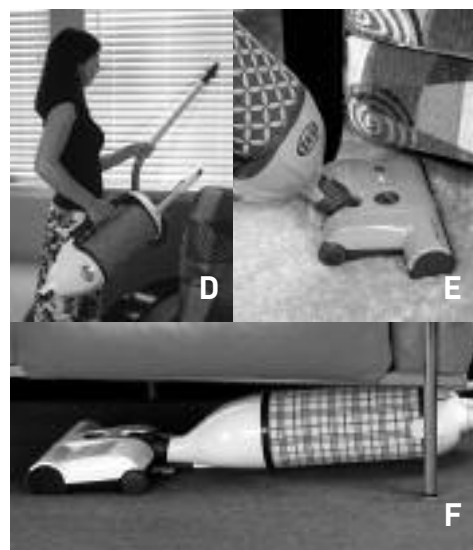
F. Flat and flexible. With its 6-inch profile and flat-to-the-floor design, the SEBO FELIX makes cleaning under furniture and hard-to-reach places easy.



SEBO three-step filtration system

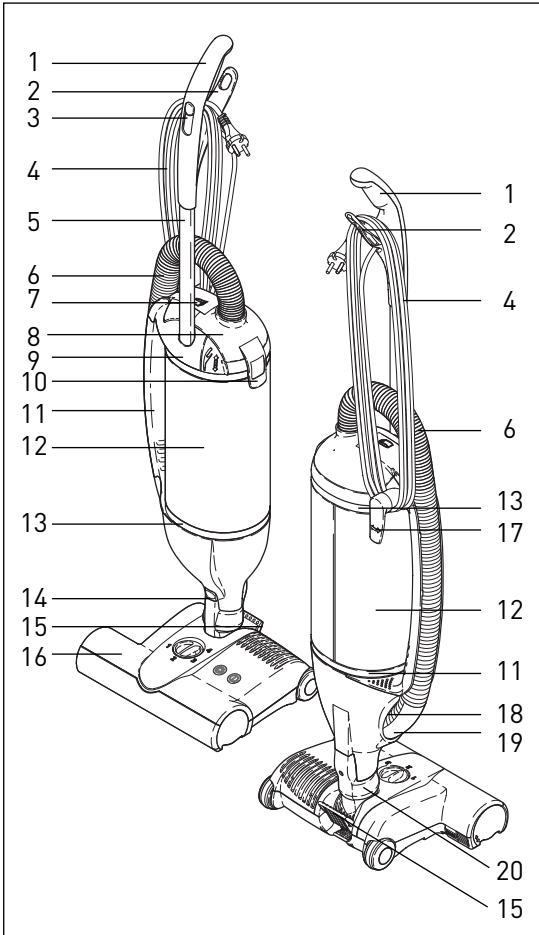


Bag full or clog warning indicator



FELIX flexibility

IDENTIFICATION OF PARTS



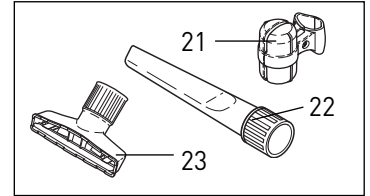
1. Handle grip
2. Upper cable hook
3. On/Off switch, power control slider
4. Power cable
5. Handle Assembly
6. Hose
7. Bag full indicator
8. Filter bag cover
9. Filter bag housing
10. Filter bag housing release latch
11. Carrying handle
12. Exhaust filter
13. Filter retaining rings
14. Tool release button
15. Foot pedal
16. Power head
17. Cable hook
18. Suction opening
19. Hose handle
20. Swivel neck

Power Heads

16. ET-1 Power head, Standard on Premium, optional for Kombi. White, orange or ivory
28. ET-2 Power head, Standard on ICE Blue 2, optional for Ice Blue Kombi. White

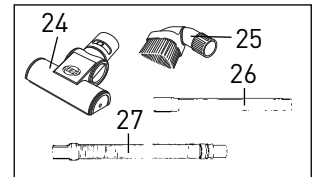
Floor Tools

29. Premium Parquet Brush, standard on Premium, optional for Kombi. Dark gray, orange or ivory
30. Kombi Nozzle, standard on Kombi, optional for Premium. Dark gray, orange or ivory



Standard Attachments

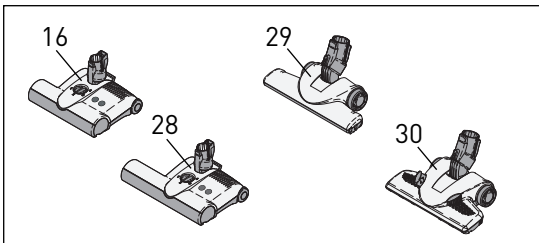
21. Attachment clip
22. Crevice Nozzle
23. Upholstery Nozzle



Optional Attachments

24. Hand-Held Turbo Brush - air driven rotating brush. Part # 6179 DA
25. Dusting Brush - for cleaning delicate surfaces. Part # 1329 DG
26. Straight Tube - 20" extension tube for extended reach. Part # 1084 HG
27. Extension Hose (9 ft.) - Extends the reach to approx. 15 ft. Part # 1495 AM

The Dusting Brush, Straight Tube and Extension Hose are available as a 3-piece attachment kit. Part # 1998 AM



ASSEMBLY

Place the power head (16, 28) or floor tool (29, 30) on the floor with the swivel neck (20) upright. Hold the vacuum vertically and Insert the suction opening of the vacuum into the swivel neck of the head or tool. Push firmly and evenly downward until the tool release button (14) snaps into the locked position - see figure 1.

Insert the black end of the hose (6) into the connection on the filter cover (8)- see figure 2a. Insert the hose handle (19) into the suction opening (18) on the side of the vacuum - see figure 2b. Press the hose into place on the side of the machine.

Install the attachment clip (21) to the handle assembly (5) using the included screw. Insert the crevice nozzle and upholstery nozzle into the clip - see figure 3.

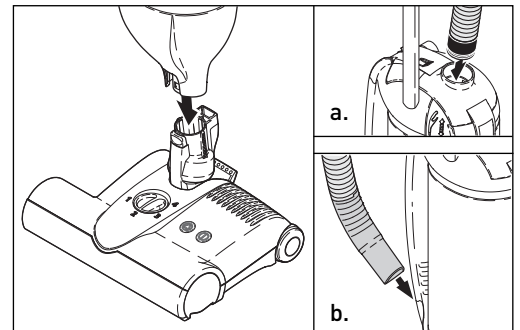


Figure 1

Figure 2

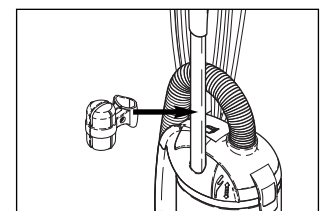


Figure 3

NOTE: All illustrations shown in this manual represent the FELIX Premium model except where part numbers and instructions are different for each model.

OPERATING INSTRUCTIONS

Starting The Machine - Figures 3, 4 & 5

Before turning on your vacuum cleaner, make sure that the vacuum is in its upright locked position and that you have a firm hold on the handle grip to keep the machine from moving forward.

1. With the power switch (3) in the OFF position, turn the cable hook (17) to the left or right to release the cable (4). Lift the cable off the upper cable hook - see figure 3.
2. Adjust the telescopic handle tube (5) to the correct height by pulling out the release tab (32) and gently pulling the tube out to lengthen, or pushing it in to shorten. The tube will click into place when it reaches one of the three lengths available. Release the tab. If the tab does not fit snugly in place, the tube is set at an incorrect setting. Pull or push the tube until it locks into one of the three settings.- see figure 4.
3. Plug the polarized power cord into a 120 volt wall outlet located near the floor.
4. Slide the On/OFF switch (3) downward to the ON position - see figure 5.

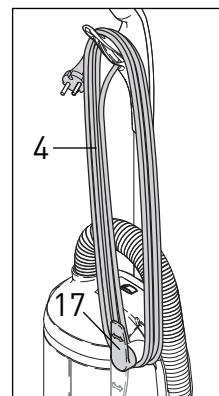


Figure 3

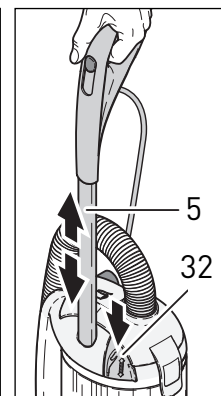


Figure 4

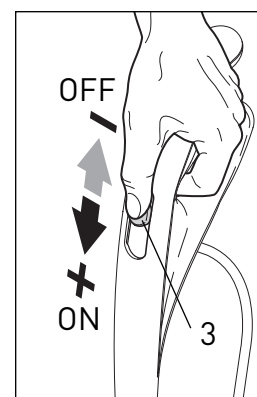


Figure 5

Operating the Machine - Figures 5 & 6

You may adjust the suction control with the power control slider (3) as you vacuum different surfaces or when using the accessory tools. Slide the button upward for less suction or downward for more suction - see figure 5

When changing power heads and floor tools, always switch the vacuum off with the main power switch (3), and then unplug the power cord. *NOTE: When switching off the power switch, always make sure the switch "clicks" into the OFF position before unplugging the power cord.*

When you have finished using the vacuum, turn it off by sliding the on/off switch to the OFF position. Then, unplug the cord and wind it onto the upper cable hook and upper hook. The rubber tip on the end of the handle allows the vacuum to be propped against a wall without damage.

Using the Hose Handle, Hose & Attachments - Figures 6 & 7

The hose handle (19) is useful for vacuuming corners and hard-to-reach areas. You may use the hose handle with or without an attachment. Pull the hose handle (19) from the suction opening (18) in the side of the vacuum. Keep a firm hold on the handle grip while using the hose handle as it could tip if the hose is pulled too far. The standard attachments [the crevice nozzle (22) and upholstery nozzle (23)] and optional attachments [the hand-held Turbo brush (24), dusting brush (25), straight tube (26) and extension hose (27)] may be inserted onto the hose handle. It is not necessary to turn off the vacuum while switching the attachments.

NOTE: When using the hose and attachments, keep the vacuum in its upright position.

Detachable Suction Unit - When detached from the power head, or floor tool, the FELIX transforms itself into a lightweight, powerful suction unit, which can be carried around using its comfortable carrying handle (figure 7). Ideal for cleaning stairs, car interiors or upholstery. To remove a floor tool or power head, switch off the power and unplug the vacuum. Press the tool release button (14) and pull the vacuum out of the swivel neck (20).

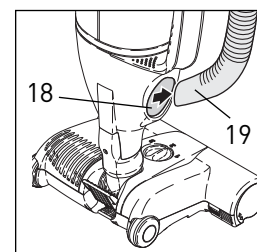


Figure 6

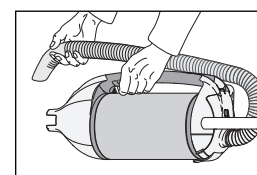


Figure 7

To change a floor tool or power head, switch off the power and unplug the vacuum. Press the tool release button (14) and pull the vacuum out of the swivel neck (20). Insert the vacuum into the new tool and push down gently until it snaps into place. Plug the vacuum in and switch the power on.



WARNING!

The quality, condition, coating, texture, age and manufacturing technique of all floor surfaces vary. Therefore, vacuums with rotating brushes, including your SEBO, may damage some floor coverings or surfaces. Some types of high-gloss hardwood floors, cushion vinyl, berber carpets, long shag, and delicate or hand-woven carpets are particularly vulnerable to damage by rotating brushes. When possible, consult the materials supplied by your flooring manufacturer for information on proper upkeep and cleaning. To ensure that your new SEBO vacuum cleaner is compatible with your floor, please test the vacuum cleaner on each type of flooring surface in a small inconspicuous area to determine if any damage occurs.

If damage occurs, stop using the vacuum cleaner immediately!

ADDITIONAL OPERATING INSTRUCTIONS FOR ET POWER HEADS

Operating with the ET Power Head - Figures 8, 9 & 10

When the power head is on with the handle in the upright locked position (see figure 8), the brush roller on your ET power head will not spin.

To release the ET-1 or ET-2 power head from the upright locked position, press down on the foot pedal (#15, figure 9) and lower the handle into the normal operating position. The brush roller will then start spinning and the green light on the power head will illuminate. The handle can be lowered to a horizontal position useful for vacuuming under beds.

NOTE: the brush roller is off and stopped only when the machine is in an upright position and the handle is completely locked in place, or when the hose handle is removed from the side of the vacuum. If you have the machine at an angle, the brush roller will spin. Leaving the machine in a stationary position for an extended period of time while the brush roller is spinning may cause damage to your floor or carpet. You may also switch off the brush roller by pressing the on/off switch (#35, figure 11) on the top of the power head.

You may adjust the suction control with the power control slider (#3, figure 5) as you vacuum different surfaces or when using the accessory tools. For optimal cleaning and brushing, operate the machine at the maximum suction power setting and push the power head slowly over the carpet.

Always turn the power switch off when changing heads or unplugging the vacuum. Slide the power control slider on to its OFF position, then unplug the vacuum when changing heads or storing the vacuum. **NOTE:** When switching off the power switch, always make sure the switch "clicks" into the OFF position before unplugging the power cord.

The use of a power head is recommended for the optimal cleaning of carpets. The rotating of the swivel neck (#20, figure 10) allows the power head to move in any direction.

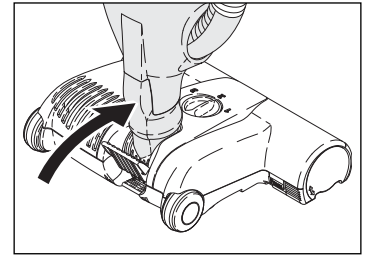


Figure 8

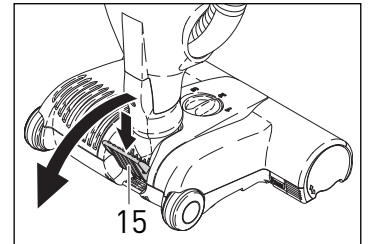


Figure 9

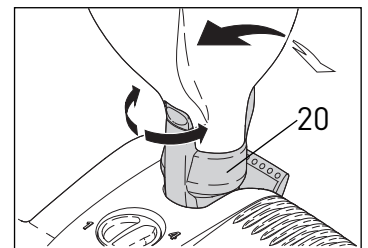


Figure 10

The Brush Height Adjustment Feature - Figure 11

To manually adjust the brush height, rotate the dial (33) for high carpet (dial setting 4) and progressively lower to bare floor (dial setting 1). The amber light located on top of the power head (34) will illuminate if the height setting is too high. Dial down to the next number until the amber light turns off. If the amber light does not turn off, the brush roller may be worn.

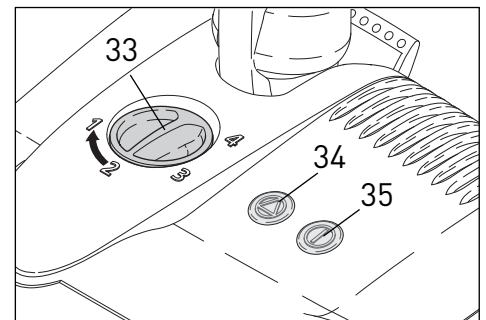


Figure 11

Indicator Lights - Figure 11

By pushing the foot pedal (figure 9) and lowering the handle, you activate the power head and the brush begins spinning. Failure to use the foot pedal will cause lasting damage to the machine. The electronic brush control constantly monitors the status of the brush, communicating the status through the lights on top.

Green and Amber Light: (34 and 35, figure 11) The brush is not fully engaged in the carpet. The height adjustment should be lowered. If the height adjustment is at its lowest setting, the brush is worn and needs to be replaced.

Green Light Only: (35, figure 11) Brush is working well. We strongly recommend selecting a brush height that is only one level beneath that at which both the green and amber lights are on. For maximum cleaning performance, the brush height adjustment can be lowered to its lowest setting.

Amber Light Only: (34, figure 11) The brush is blocked. Turn off the machine, unplug it, and then remove the blockage.

To clean delicate or hard floor surfaces, the power head is equipped with an on/off switch (# 35, figure 11). When this switch is used to turn off the brush roller, the green indicator light is also turned off.

ET POWER HEAD MAINTENANCE



Always unplug vacuum from outlet before dismantling any part of the machine!

To remove the power head, switch off the power and unplug the vacuum. Then, press the tool release button (12) and pull the vacuum out of the swivel neck.

Removing the Brush Roller - Figure 12

To remove the brush roller, press the button marked "PRESS" (36) and turn the brush roller end cap (37) downward. Turn the brush (38) slightly to the right and pull it out. We recommend regular removal of threads and hair which have wound around the brush roller.

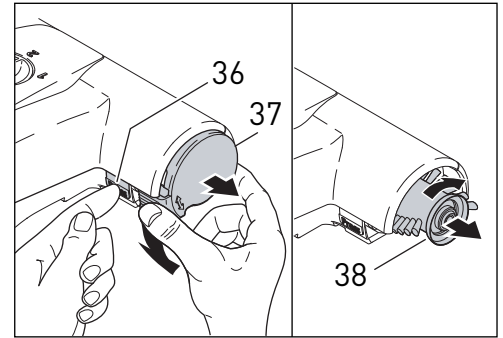
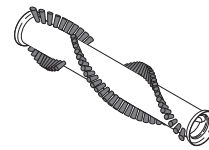


Figure 12

Cleaning the Brush Roller

Unplug the vacuum before attempting to clean the brush.

The brush should be cleaned regularly. Fibers and hair can be pulled out of the brush while manually rotating the roller, or the roller can be removed from the power head to clean it.



12" Brush roller
Part # 5010 AM

15" Brush roller
Part # 2838 AM

USE AND MAINTENANCE OF FLOOR TOOLS AND BRUSHES



Always unplug vacuum from outlet before dismantling any part of machine!

To remove a brush or floor tool, switch off the power and unplug the vacuum. Then, press the tool release button (14) and pull the vacuum out of the neck.

Premium Parquet Brush - Figure 13

The Premium parquet brush is specially designed for use on hard surfaces. The brush should be cleaned regularly. Remove the parquet brush from the vacuum to clean. Fibers and hair can be pulled out of the bristles manually, or vacuum the bristles using the flexible hose.



Figure 13

Kombi Nozzle - Figure 14

The Kombi nozzle is adjustable for carpet or hard floors. To set for carpet, slide the up arrow button (39) to the right until it clicks into place. The hard floor dusting brush will raise up allowing the head to move over the carpet. To set for hard floors, slide the down arrow button (40) to the left until it clicks into place. The brush will lower to gently sweep your floors. **The slider in Figure 14 is set in the position for carpet.** The brush should be cleaned regularly. Remove the Kombi nozzle from the vacuum to clean. Fibers and hair can be pulled out of the bristles manually, or vacuum the bristles using the flexible hose.

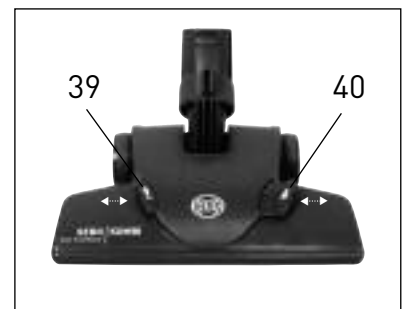


Figure 14

VACUUM MAINTENANCE



Always unplug vacuum from outlet before dismantling any part of machine!

When the “bag full” indicator (7) displays, airflow is reduced due to a full filter bag, dirty filters, or a clog. If the filter bag is empty and the filters are clean, you may have a clog. Refer to page 10.

Changing the Filter Bag - Figures 17 & 18

To change the filter bag, set the canister upright, open the filter bag cover (8) by pulling the cover release flap (10) upward (figure 17). Seal the filter bag with the sealing cap (42). Grasp the sealing plate (44) of the filter bag with your thumb and forefinger as shown in figure 18 and lift the filter bag (43) out. Lower a new bag into the holder, making sure that the 4 small tabs (indicated by arrows on the sealing plate) fit into the appropriate grooves. The front tab (45) of the sealing plate will fit loosely over the wire latch lock. Push the filter bag cover (8) down firmly and snap the cover release flap (10) into place. For your convenience, there is a diagram on every filter bag showing the correct placement of the bag. Do not re-use the filter bags. **NOTE:** *the nature of the contents of the filter bag will affect the point at which it needs changing. Fine dust may require an earlier change even though the bag is not full. Fluff or hair allows air to pass through easily, so the filter bag may overflow before the orange “bag full” indicator displays.*



Filter bag
Part # 7029 ER

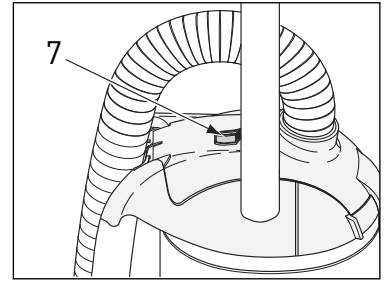


Figure 16

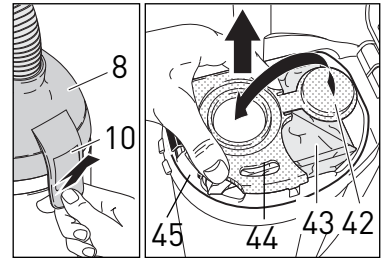


Figure 17

Figure 18

Changing the Motor Protection Filter - Figure 19

After 10 to 20 bags have been used, change the motor protection filter (46). To remove the micro-hygiene filter, set the vacuum upright, pull the cover release flap (10) outward and open the filter bag cover (8). Remove the filter bag (see above). Grasp the handle (47) on the filter and pull it out. To replace, use the handle (47) to hold on to and slide the new filter down into the bottom of the filter bag housing. When correctly seated, it will snap into place. Insert the filter bag, close the filter bag cover.



Motor protection
filter
Part # 7012 ER

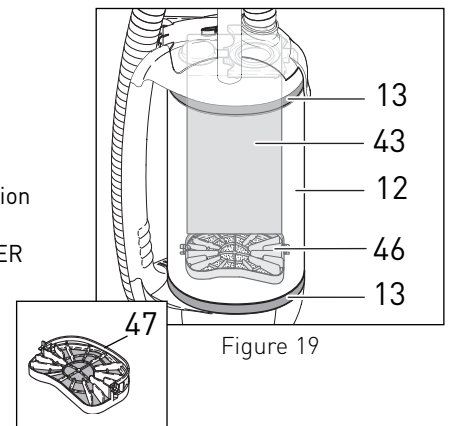


Figure 19

Changing the Exhaust Filter - Figures 19 & 20

The exhaust filter (12) needs to be changed when it becomes extremely dirty or clogged with dust, or after approximately 10 to 20 filter bags have been used. To remove the exhaust filter, set the vacuum upright, and remove the filter retaining rings (13). To release the filter retaining ring, use your thumb to push the retaining ring clip the direction of the arrow, then pull the clip up. Pull the reinforced strips out of the housing slot (48), and remove the filter. To replace the filter, insert the reinforced strip on one end of the filter into the housing slot (48) and hold in place with one hand while wrapping the filter around the machine, pulling it taut. While holding the filter together, insert the top of the reinforced strip into the slot. While holding the top of the strip in place, push the rest of the strip firmly into the slot. Replace the retaining rings. **NOTE:** *when reassembling, please ensure that the exhaust filter is fitted correctly in the housing slots and the filter retaining rings are installed correctly. Otherwise, the filter will be ineffective.*



Exhaust filter
Part #:
7095 ER 01 - Fun
7095 ER 02 - Ice Blue
7095 ER 03 - Classic
7095 ER 08 - Dark Blue

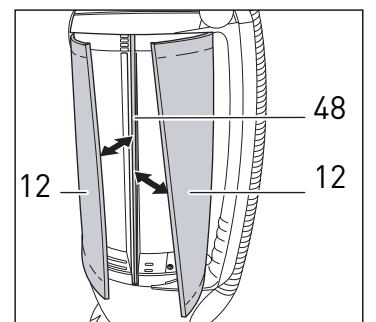


Figure 20

Note: *Never operate the vacuum with incorrectly attached filters or without filters, filter bag, or filter bag housing cover (8). Do not re-use filter bags. Do not wash and re-use filters.*

CLOG REMOVAL

 **Always unplug vacuum from outlet before removing any clogs!**

When the “bag full” indicator (7, figure 21) displays, airflow is reduced due to a full filter bag, dirty filters, or a clog. If the indicator is still displayed after the filter bag has been changed and the filters are in good condition, there is likely a blockage in the system.

Clogs in the Hose - Figures 21, 22, 23 & 24

Check for suction at the end of the hose (6) by pulling the hose handle (19) out of the suction opening (18). If you can only feel a small amount of suction, the clog is in the hose. To clear a blockage in the hose, hold the hose handle upright with one hand blocking the top and switch on the machine. Quickly lift your hand on and off the end of the hose. If that does not clear the clog, you may also clear clogs by reversing the hose. To remove the hose from the machine, lift the filter bag cover. Loosen the safety ring (#49, figure 23) located inside the cover by pushing the lever clockwise as shown in figure 23. Remove the hose. Close the filter bag cover and insert the hose handle into the connecting tube (#50, figure 24) of the filter cover. Hold the hose upright with one hand blocking the top and switch on the machine. If necessary, quickly lift your hand on and off the end of the hose. When the clog is cleared, remove the hose handle from the connecting tube. Loosen the safety ring (49) and insert the other end of the hose back into the connecting tube. Release the safety ring so that it secures the hose. Make sure the hose is connected, then close the filter bag cover.

Note: Do not insert a wire or stick into the hose. Doing so may cause damage to the hose.

Clogs in the Swivel Neck - Figure 25

To check for a clog in the swivel neck (20), remove the head by pressing the release button (14). Pull the vacuum out of the swivel neck. Clean out pathway.

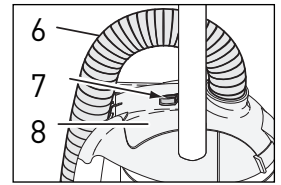


Figure 21

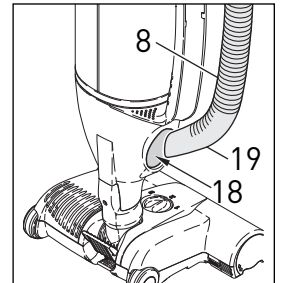


Figure 22

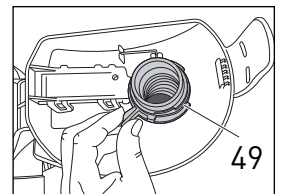


Figure 23

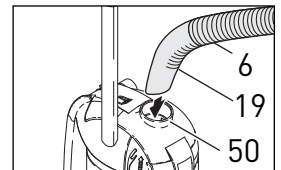


Figure 24

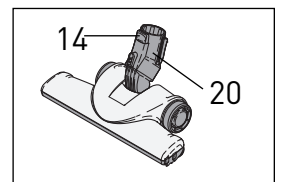


Figure 25

CLOG REMOVAL IN THE ET POWER HEAD

Clogs in the Airflow Pathway - Figure 26

Many clogs can be removed by accessing the airflow pathway via the orange colored access door (51) located on the underside of the power head.

Clogs in the Swivel Neck - Figures 26 & 27

To check for a clog in the swivel neck (20), remove the head by pressing the release button (14). Pull the vacuum out of the swivel neck. Push the obstruction down the neck with a stick or long screwdriver and remove it through the orange access door (51).

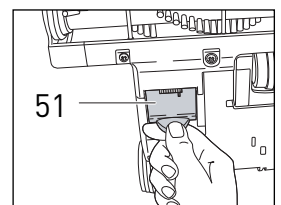


Figure 26

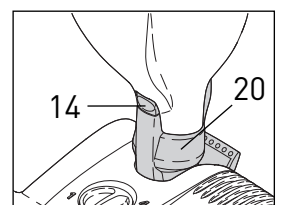


Figure 27

TROUBLE-SHOOTING GUIDE



Always unplug vacuum from outlet before dismantling any part of the machine!

PROBLEM	REASON	SOLUTION
Does not turn on	1. Not plugged into working outlet.	1. Use another outlet.
	2. Cable worn.	2. Replace cable.
	3. The power control slider switch is set to the "OFF" position.	3. Slide slider switch to "ON" position. See page 6.
Bag full or clog light on Bag full or clog light on & machine shuts off	1. Bag full.	1. Replace filter bag. See page 9.
	2. Clog in hose, swivel neck, brush or head	2. See Clog Removal on page 10.
	3. Motor protection filter dirty.	3. Replace motor protection filter. See page 9.
	4. Exhaust filter dirty.	4. Replace exhaust filter. See page 9.
Does not pick up	1. Hose handle is not correctly inserted into suction opening.	1. Reinsert hose handle firmly into suction opening.
	2. Hose is not connected correctly into the connecting tube.	2. Check the safety ring. See page 10.
	3. The suction control dial is rotated to no suction setting.	3. Slide suction control slider to higher suction setting. See page 6.
	4. Filter bag cover not closed.	4. See below.
Filter bag door won't fully close	1. Cover release flap not fully closed.	1. Reinsert bag. Lock the cover release flap (10) down firmly.
	2. Bag not inserted properly.	2. Reinsert bag. Lock the cover release flap (10) down firmly.
Filter bag doesn't fit into position	1. Motor protection filter not properly inserted.	1. Remove the filter bag and make sure the motor protection filter is seated correctly See page 9.

NOTE: ET power head users, please see page 12 for additional trouble shooting guide information.

ADDITIONAL TROUBLE-SHOOTING GUIDE FOR ET POWER HEADS



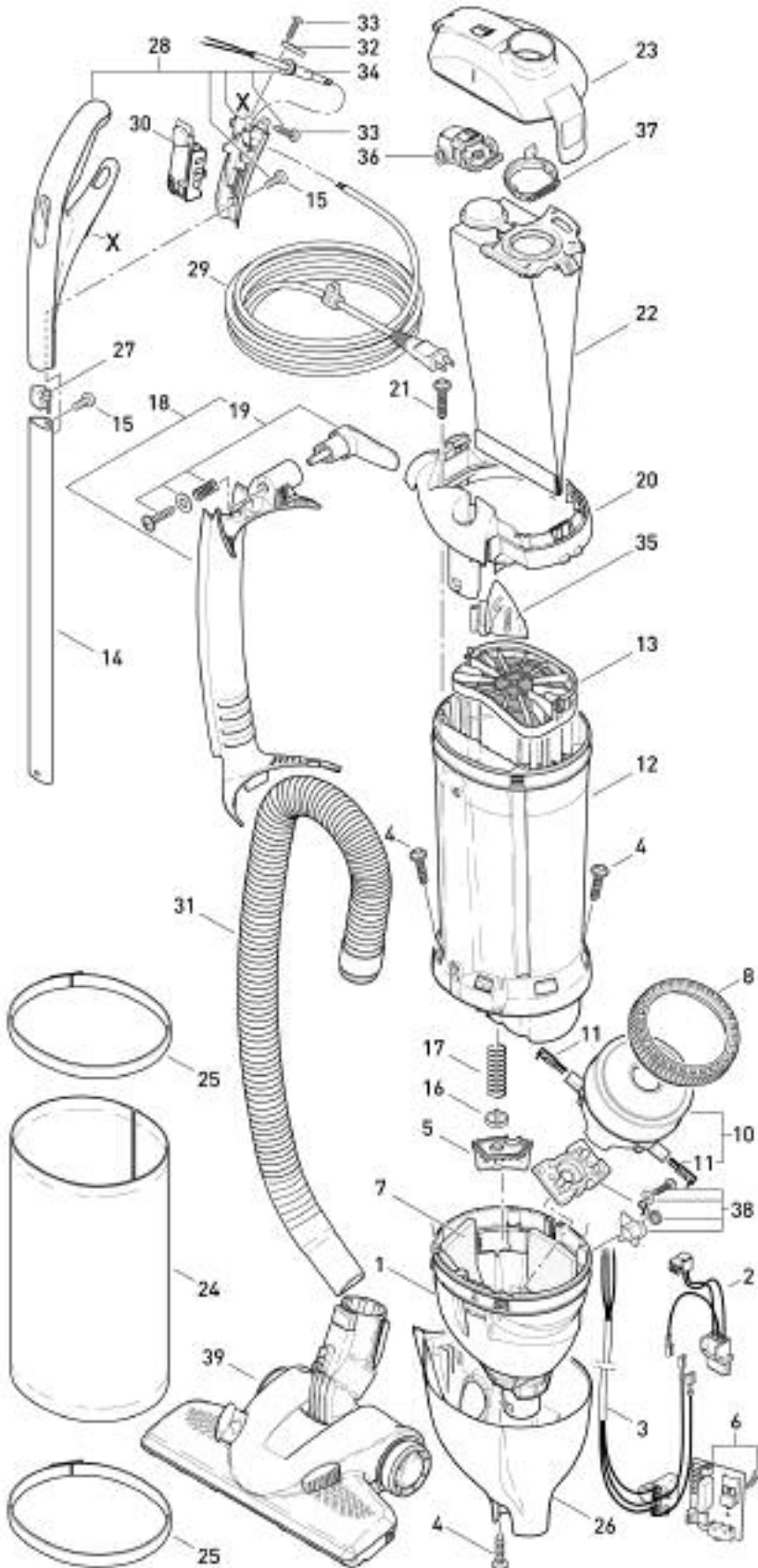
Always unplug vacuum from outlet before dismantling any part of the machine!

PROBLEM	REASON	SOLUTION
Does not turn on	1. The switch on the power head is off.	1. Press the power head brush on/off switch. See page 7.
	2. The internal switch in the swivel neck is off because the machine is in the upright locked position.	2. Release the foot pedal and lower the telescopic tube to operating level. See page 7.
Amber and green lights are both on	1. Brush worn.	1. Replace brush. See page 8.
	2. Reduced brush action.	2. Brush is not fully in contact with the floor.
No lights are illuminated	1. Machine is in upright locked position and roller is shut off.	1. Release the foot pedal and lower the vacuum to operating level. See page 7.
	2. The switch on the power head is off.	2. Press the power head brush on/off switch. See page 7.
	3. The internal switch in the swivel neck is off because the machine is in the upright locked position.	3. Release the foot pedal and lower the vacuum to operating level. See page 7.
Amber light is on & brush stops spinning	1. Jammed brush roller.	1. Remove brush roller obstruction. See page 8.
	2. Clog in airflow pathway or swivel neck.	2. Remove clog. See page 8.
	3. Overload shut down from excessively deep but loose carpet pile (e.g., long shag carpet).	3. If carpet pile is too deep and loose, then use a "shag rake" attachment instead of the ET-1 or ET-2 power head.
Does not pick up	1. Flexible hose not inserted properly into vacuum.	1. See page 5.
	2. Brush roller has hair or debris wrapped around it.	2. Clean brush roller. See page 8.

FELIX PREMIUM / KOMBI - ICE BLUE

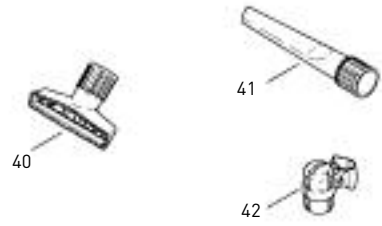
Bag Housing with Handle

- #9806 AM FELIX PREMIUM (White/Blue) - 12 inch
- #9813 AM FELIX PREMIUM (White/Blue) - 15 inch
- #9824 AM FELIX KOMBI (White/Blue) - 12 inch



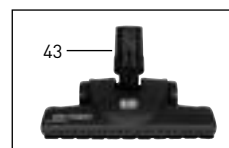
White/Blue Machine

Pos.	Part #	Description
1	7078 DG	Air duct
2	7064	Internal wiring harness ET
3	7071	Internal cable
4	01016 ER	Screw STS 4x16 - T20
5	7056 DG	Valve cover
6	7111 ER	Printed circuit board 120V
7	7098	Sound insulation
8	1047	VAC motor seal
9	7009	Rubber mounting
10	7041 ER	VAC motor 120V
11	05140 S	Carbon brush set
12	7143 ER	Dust bag housing
13	7012	Motor filter
14	7081 ER	Handle tube
15	0127 ER	Screw M 4x10K
16	7025	Valve disc
17	7028	Valve spring
18	7090 DG	Hose duct
19	7027 DG	Cable hook
20	7093 GW	Cover, dust bag housing - white
21	01017 ER	Screw STS 4x20 - T20
22	7029 ER	Dust bag
23	7091 GW	Filter cover - white
24	7095 ER02	Exhaust filter
25	7017 DG	Exhaust filter clamp
26	7167 SE	Lower housing - white
27	7145 DG	Tube plug
28	7164 GW	Handle complete with switch - white (Includes #7034 GW Handle cover and #7089 GW Handle grip)
29	7127 DG	Cable
30	7038 GW	Switch assembly, cpl.
31	7050 SB	Hose cpl., FELIX
32	1030 UL	Cable clamp
33	0103 ER	Screw C3.9x16
34	1035 DG	Cable grommet
35	7082 GW	Release button - white
36	7094 ER	Filter Indicator, cpl.
37	7018 OR	Retaining ring, cpl.
38	7032 ER	Switch lever, cpl.
39	7240 DG	FELIX Kombi nozzle - dark gray (Included with FELIX KOMBI #9824 AM)
40	1491 DG	Upholstery nozzle - dark gray
41	1092 DG	Crevice nozzle - dark gray
42	7097 GW	Double attachment clip - white



Premium Parquet Brush

- (Included with FELIX PREMIUM - Ice Blue #9806 AM)
- 7200 DG Dark Gray - 11 inches
- 7207 ER Brush Strip Set (2 pcs. for FELIX)
- 43 7212 DG Button cover



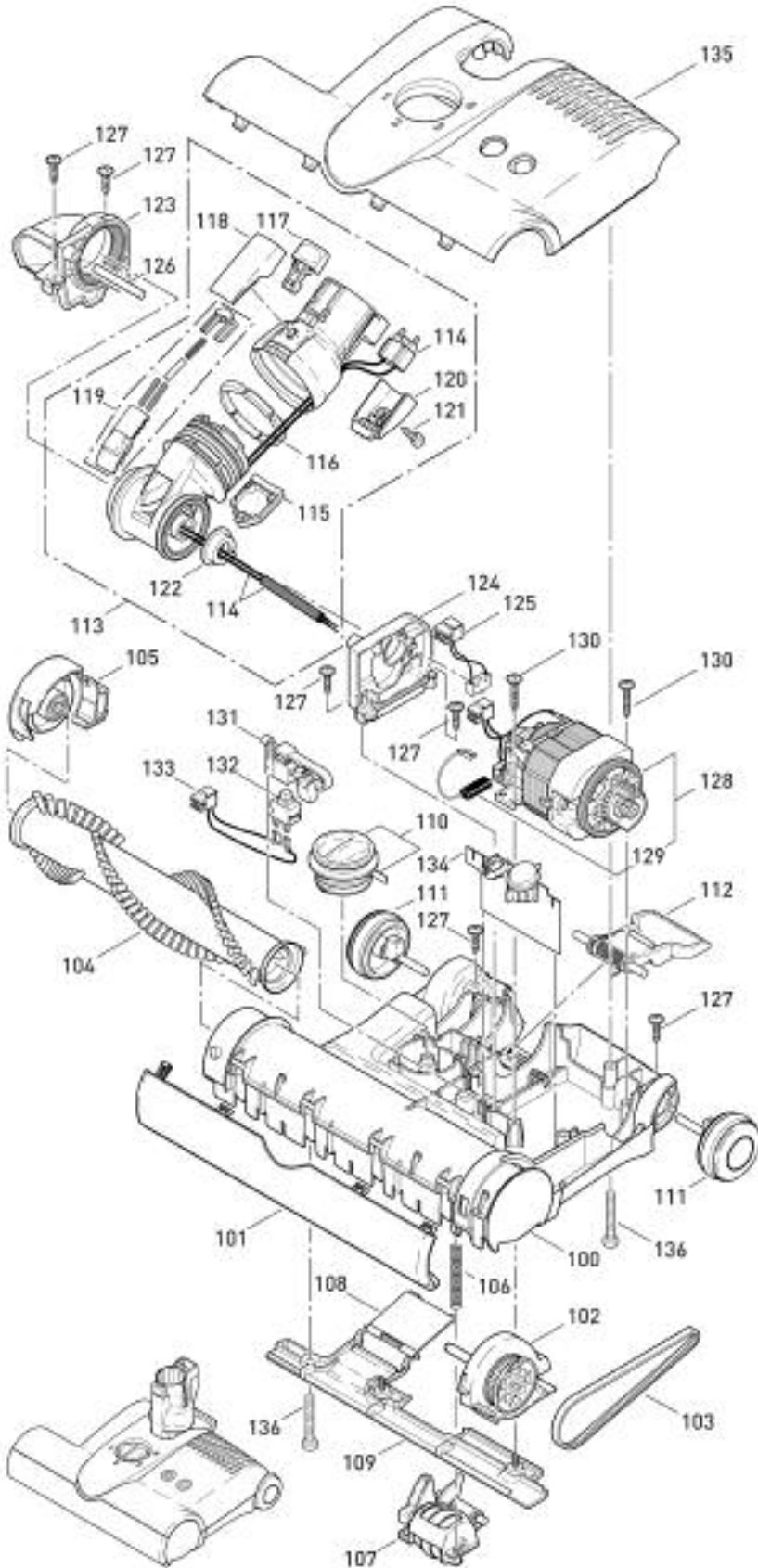
FELIX PREMIUM - ICE BLUE

Power Head - 12 inch (ET-1)

9806 AM FELIX PREMIUM (White/Blue) - 12 inch

White Machine

Pos.	Part #	Description
100	2324 DG	Chassis ET-1
101	2302 DG	Bumper, cpl.
102	2314 DG	Bearing block, left cpl.
103	2923	Belt 333 3M HTDII-6
104	5010 AM	Brush roller, cpl.
105	2313 DG	Bearing block, right cpl.
106	2929	Spring
107	2316 DG	Pile adjustment assembly, cpl.
108	2909 VO	Access door ET
109	2304 DG	Rear bottom plate, cpl.
110	2931 DG	Pile adjustment button
111	2306 DG	Wheel, cpl.
112	2937 OR	Foot pedal
113	2307 DG	Swivel neck assembly, cpl.
114	0876 ER	Wiring swivel neck
115	2947 DG	Cover, TS-neck
116	2950 ER	Segments, TS-neck
117	1737 DG	Release button
118	2952 DG	Button cover, TS-neck
119	2945 DG	Swivel neck slide
120	2951 DG	Socket cover, TS-neck
121	01027 ER	Screw F 3.9x9.5
122	2954	Swivel neck bearing
123	2311	Swivel neck support, right
124	2312	Swivel neck support, left
125	0880	Wiring swivel neck switch
126	2928	Axle
127	01021 ER	Screw F 3.9x13
128	2973 ER	Brush motor 120V, 175W
129	05141 S	Carbon brush set
130	01020 ER	Screw F 3.9x21
131	2958 ER	Lever
132	05114	Switch 2 - pole
133	0881	Wire
134	2983 ER	Printed circuit board - 175W
135	2331 SE	Power head cover - FELIX - white
136	0176 TER	Screw AM 4x30



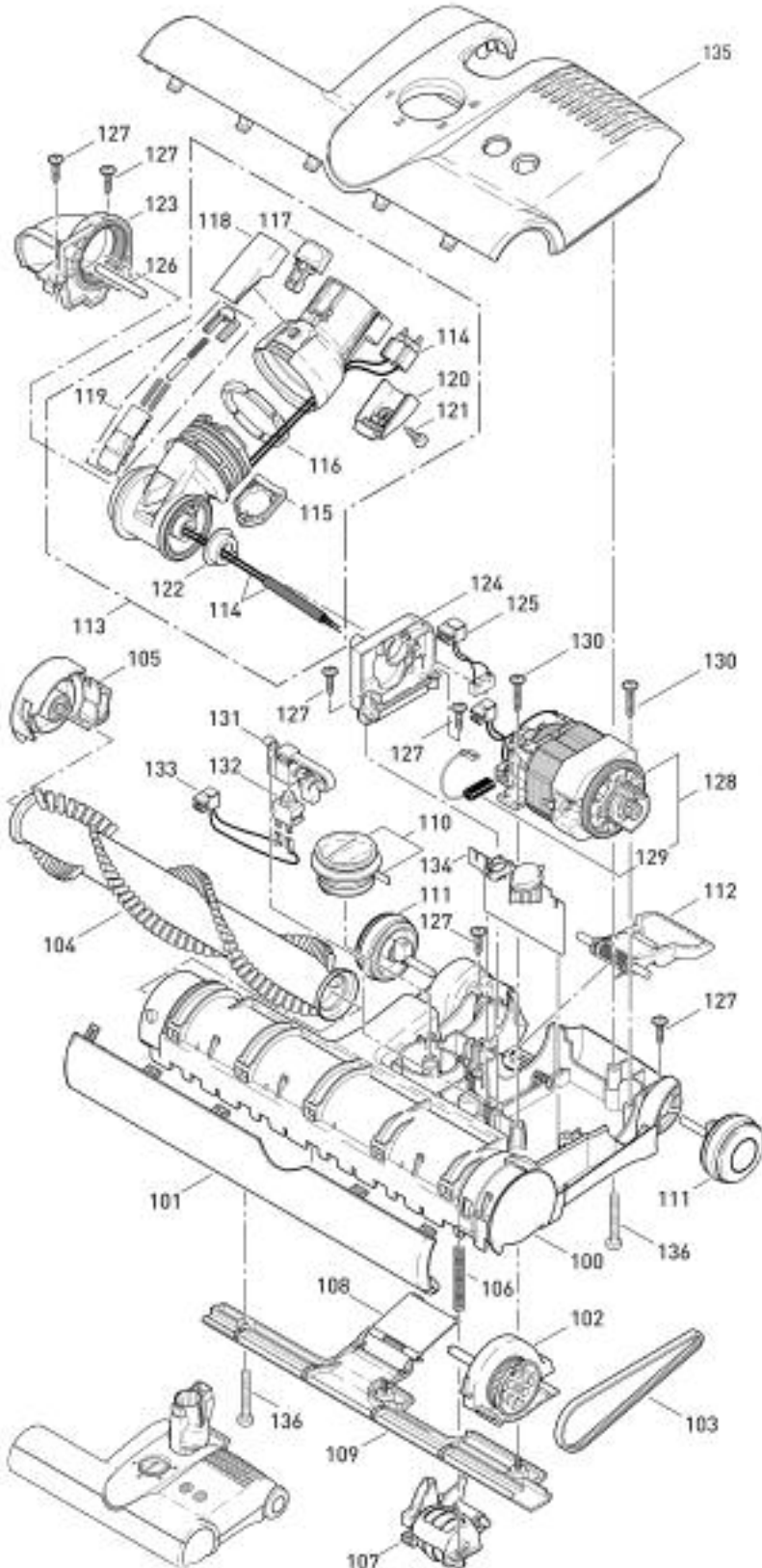
FELIX PREMIUM - ICE BLUE

Power Head - 15 inch (ET-2)

9813 AM FELIX PREMIUM (White/Blue) - 15 inch

White Machine

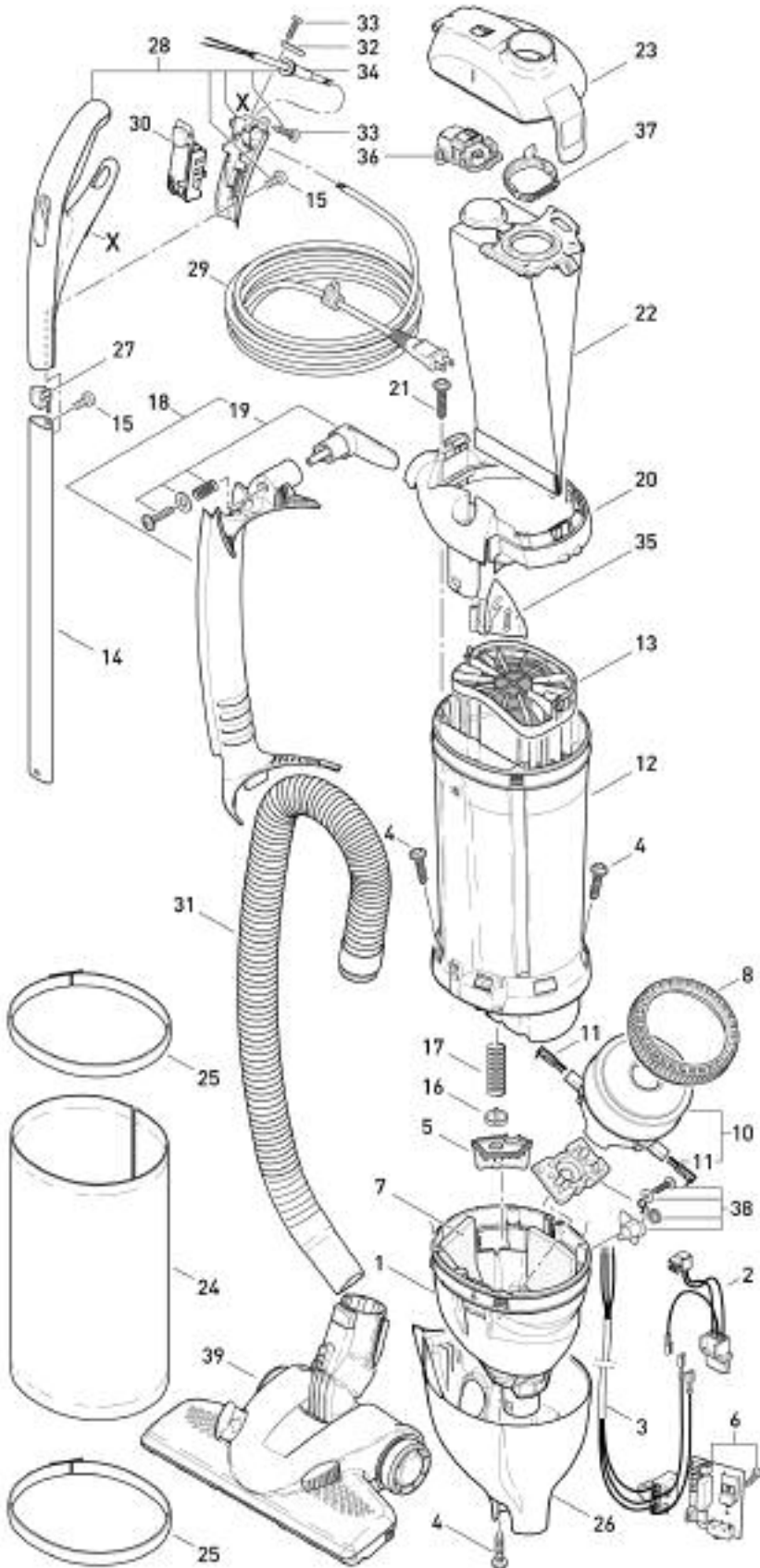
Pos.	Part #	Description
100	2325 DG	Chassis ET-2
101	2303 DG	Bumper, cpl.
102	2314 DG	Bearing block, left cpl.
103	2923	Belt 333 3M HTDII-6
104	2838 AM	Brush roller, cpl.
105	2313 DG	Bearing block, right cpl.
106	2929	Spring
107	2316 DG	Pile adjustment assembly, cpl.
108	2909 VO	Access door ET
109	2305 DG	Rear bottom plate, cpl.
110	2931 DG	Pile adjustment button
111	2306 DG	Wheel, cpl.
112	2937 OR	Foot pedal
113	2307 DG	Swivel neck assembly, cpl.
114	0876 ER	Wiring swivel neck
115	2947 DG	Cover, TS-neck
116	2950 ER	Segments, TS-neck
117	1737 DG	Release button
118	2952 DG	Button cover, TS-neck
119	2945 DG	Swivel neck slide
120	2951 DG	Socket cover, TS-neck
121	01027 ER	Screw F 3.9x9.5
122	2954	Swivel neck bearing
123	2311	Swivel neck support, right
124	2312	Swivel neck support, left
125	0880	Wiring swivel neck switch
126	2928	Axle
127	01021 ER	Screw F 3.9x13
128	2974 ER	Brush motor 120V, 200W
129	05141 S	Carbon brush set
130	01020 ER	Screw F 3.9x21
131	2958 ER	Lever
132	05114	Switch 2 - pole
133	0881	Wire
134	2984 ER	Printed circuit board - 200W
135	2341 SE	Power head cover - FELIX - white
136	0176 TER	Screw AM 4x30



FELIX PREMIUM / KOMBI - FUN

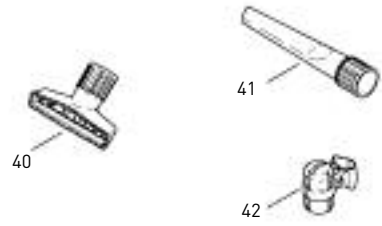
Power Head - 12 inch (ET-1)

9803 AM FELIX PREMIUM (Orange/Purple)
 # 9825 AM FELIX KOMBI (Orange/Purple)



Orange/Purple Machine

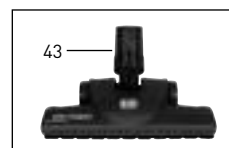
Pos.	Part #	Description
1	7078 DG	Air duct
2	7064	Internal wiring harness ET
3	7071	Internal cable
4	01016 ER	Screw STS 4x16 - T20
5	7056 DG	Valve cover
6	7111 ER	Printed circuit board 120V
7	7098	Sound insulation
8	1047	VAC motor seal
9	7009	Rubber mounting
10	7041 ER	VAC motor 120V
11	05140 S	Carbon brush set
12	7143 ER	Dust bag housing
13	7012	Motor filter
14	7081 ER	Handle tube
15	0127 ER	Screw M 4x10K
16	7025	Valve disc
17	7028	Valve spring
18	7090 DG	Hose duct
19	7027 DG	Cable hook
20	7093 VO	Cover, dust bag housing
21	01017 ER	Screw STS 4x20 - T20
22	7029 ER	Dust bag
23	7091 VO	Filter cover
24	7095 ER01	Exhaust filter
25	7017 DG	Exhaust filter clamp
26	7170 SE	Lower housing - orange
27	7145 DG	Tube plug
28	7164 VO	Handle complete with switch - orange (Includes #7034 VO Handle cover and #7089 VO Handle grip)
29	7127 DG	Cable
30	7038 VO	Switch assembly, cpl.
31	7050 SB	Hose cpl., FELIX
32	1030 UL	Cable clamp
33	0103 ER	Screw C3,9x16
34	1035 DG	Cable grommet
35	7082 VO	Release button
36	7094 ER	Filter Indicator, cpl.
37	7018 GE	Retaining ring, cpl.
38	7032 ER	Switch lever, cpl.
39	7240 VO	FELIX Kombi nozzle - orange (Included with FELIX KOMBI #9825 AM)
40	1491 DG	Upholstery nozzle - dark gray
41	1092 DG	Crevice nozzle - dark gray
42	7097 VO	Double attachment clip - orange



Premium Parquet Brush

(Included with FELIX PREMIUM #9803 AM)

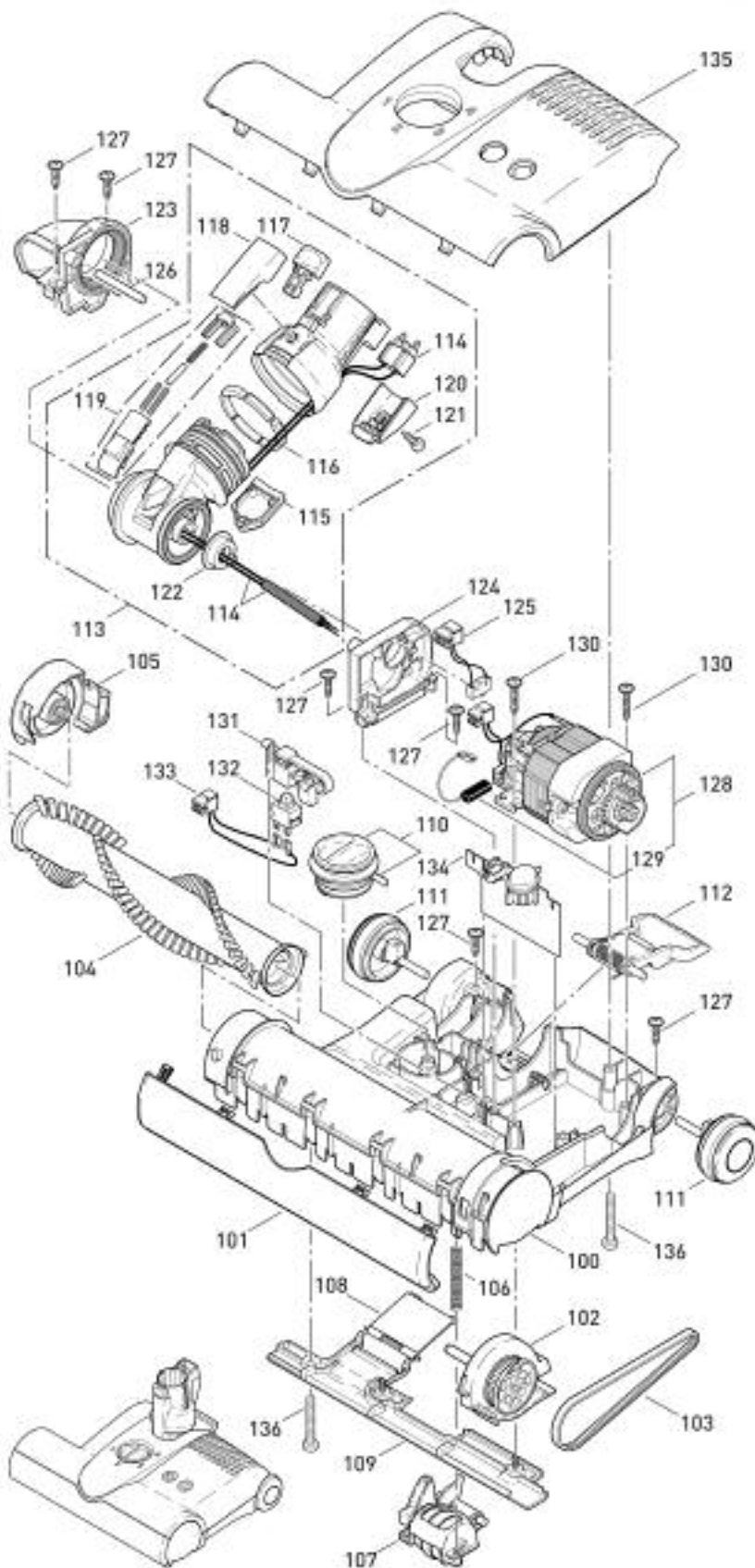
7200 VO	Orange - 11 inches	
7207 ER	Brush Strip Set (2 pcs. for FELIX)	
43	7212 DG	Button cover



FELIX PREMIUM - FUN

Power Head - 12 inch (ET-1)

9803 AM FELIX PREMIUM (Orange)



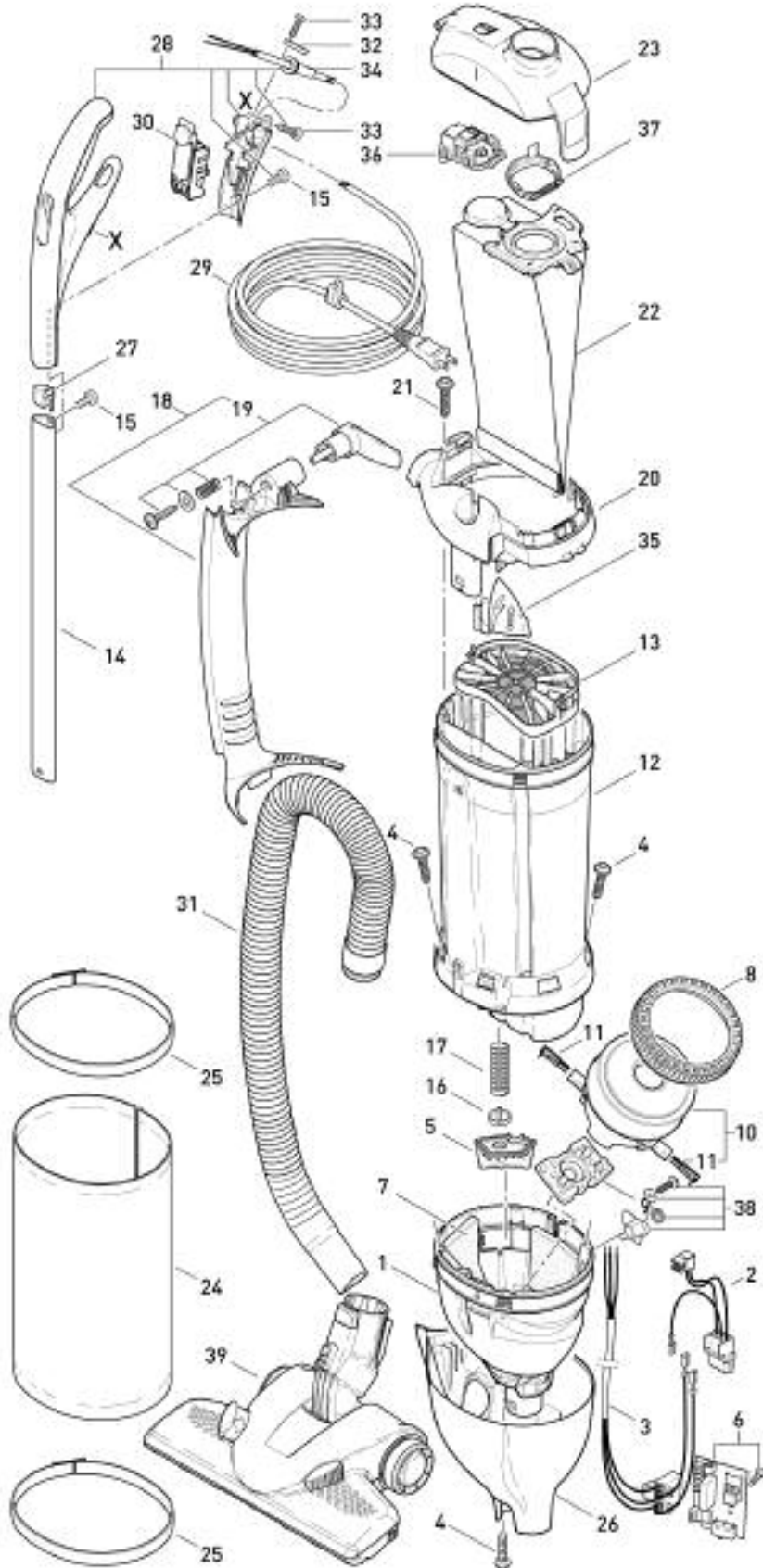
Orange Machine
Pos. Part #

Pos.	Part #	Description
100	2324 DG	Chassis ET-1
101	2302 DG	Bumper, cpl.
102	2314 DG	Bearing block, left cpl.
103	2923	Belt 333 3M HTDII-6
104	5010 AM	Brush roller, cpl.
105	2313 DG	Bearing block, right cpl.
106	2929	Spring
107	2316 DG	Pile adjustment assembly, cpl.
108	2909 VO	Access door ET
109	2304 DG	Rear bottom plate, cpl.
110	2931 DG	Pile adjustment button
111	2306 DG	Wheel, cpl.
112	2937 OR	Foot pedal
113	2307 DG	Swivel neck assembly, cpl.
114	0876 ER	Wiring swivel neck
115	2947 DG	Cover, TS-neck
116	2950 ER	Segments, TS-neck
117	1737 DG	Release button
118	2952 DG	Button cover, TS-neck
119	2945 DG	Swivel neck slide
120	2951 DG	Socket cover, TS-neck
121	01027 ER	Screw F 3.9x9.5
122	2954	Swivel neck bearing
123	2311	Swivel neck support, right
124	2312	Swivel neck support, left
125	0880	Wiring swivel neck switch
126	2928	Axle
127	01021 ER	Screw F 3.9x13
128	2973 ER	Brush motor 120V, 175W
129	05141 S	Carbon brush set
130	01020 ER	Screw F 3.9x21
131	2958 ER	Lever
132	05114	Switch 2 - pole
133	0881	Wire
134	2983 ER	Printed circuit board ET1 - 175W
135	2333 SE	Power head cover FELIX - Orange
136	0176 TER	Screw AM 4x30

FELIX PREMIUM / KOMBI - CLASSIC

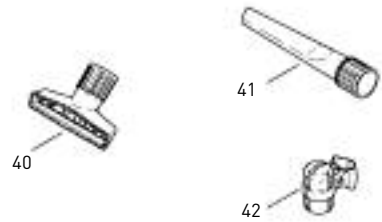
Bag Housing with Handle

9804 AM FELIX PREMIUM (Ivory/Plaid)
 # 9826 AM FELIX KOMBI (Ivory/Plaid)



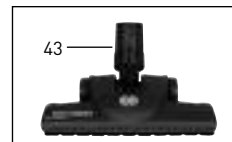
Ivory/Plaid Machine

Pos.	Part #	Description
1	7078 DG	Air duct
2	7064	Internal wiring harness ET
3	7071	Internal cable
4	01016 ER	Screw STS 4x16 - T20
5	7056 DG	Valve cover
6	7111 ER	Printed circuit board 120V
7	7098	Sound insulation
8	1047	VAC motor seal
9	7009	Rubber mounting
10	7041 ER	VAC motor 120V
11	05140 S	Carbon brush set
12	7143 ER	Dust bag housing
13	7012	Motor filter
14	7081 ER	Handle tube
15	0127 ER	Screw M 4x10K
16	7025	Valve disc
17	7028	Valve spring
18	7090 SR	Hose duct
19	7027 SR	Cable hook
20	7093 HE	Cover, dust bag housing
21	01017 ER	Screw STS 4x20 - T20
22	7029 ER	Dust bag
23	7091 HE	Filter cover
24	7095 ER03	Exhaust filter
25	7017 SR	Exhaust filter clamp
26	7168 SE	Lower housing - ivory
27	7145 DG	Tube plug
28	7164 HE	Handle complete with switch - ivory (Includes #7034 HE Handle cover and #7089 HE Handle grip)
29	7127 SR	Cable
30	7038 HE	Switch Assembly, cpl.
31	7050 HE	Hose cpl., FELIX
32	1030 UL	Cable clamp
33	0103 ER	Screw C 3.9 x 16
34	1035 SR	Cable grommet
35	7082 HE	Handle release button
36	7094 ER	Filter indicator, cpl.
37	7018 OR	Retaining ring, cpl.
38	7032 ER	Switch lever, cpl.
39	7240 SR	FELIX Kombi nozzle - ivory (Included with FELIX KOMBI #9826 AM)
40	1491 HE	Upholstery nozzle - ivory
41	1092 HE	Crevice Nozzle - ivory
42	7097 SR	Double attachment clip - burgundy



Premium Parquet Brush

(Included with FELIX PREMIUM - Classic #9804 AM)
 7200 SR Ivory - 11 inches
 7207 ER Brush Strip Set (2 pcs. for FELIX)
 43 7212 SR Button cover



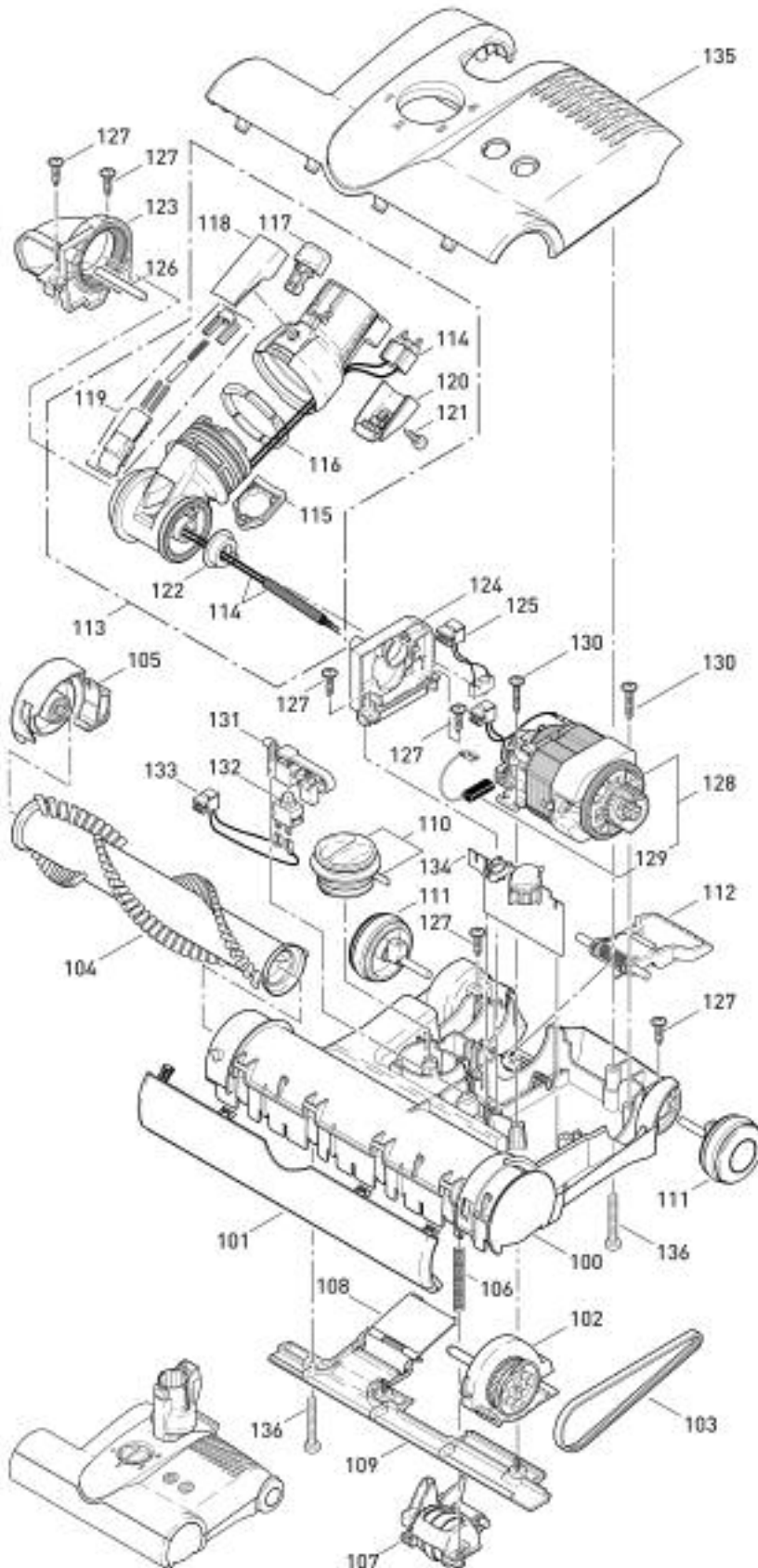
FELIX PREMIUM - CLASSIC

Power Head - 12 inch (ET-1)

9804 AM FELIX PREMIUM (Ivory)

Ivory Machine

Pos.	Part #	Description
100	2324 SR	Chassis ET-1
101	2302 SR	Bumper, cpl.
102	2314 DG	Bearing block, left cpl.
103	2923	Belt 333 3M HTDII-6
104	5010 AM	Brush roller, cpl.
105	2313 SR	Bearing block, right cpl.
106	2929	Spring
107	2316 DG	Pile adjustment assembly, cpl.
108	2909 VO	Access door ET
109	2304 DG	Rear bottom plate, cpl.
110	2931 SR	Pile adjustment button
111	2306 SR	Wheel, cpl.
112	2937 OR	Foot pedal
113	2307 SR	Swivel neck assembly, cpl.
114	0876 ER	Wiring swivel neck
115	2947 SR	Cover, TS-neck
116	2950 ER	Segments, TS-neck
117	1737 SR	Release button
118	2952 SR	Button cover, TS-neck
119	2945 SR	Swivel neck slide
120	2951 SR	Socket cover, TS-neck
121	01027 ER	Screw F 3.9x9.5
122	2954	Swivel neck bearing
123	2311	Swivel neck support, right
124	2312	Swivel neck support, left
125	0880	Wiring swivel neck switch
126	2928	Axle
127	01021 ER	Screw F 3.9x13
128	2973 ER	Brush motor 120V, 175W
129	05141 S	Carbon brush set
130	01020 ER	Screw F 3.9x21
131	2958 ER	Lever
132	05114	Switch 2 - pole
133	0881	Wire
134	2983 ER	Printed circuit board ET1 - 175W
135	2332 SE	Power head cover FELIX - Ivory
136	0176 TER	Screw AM 4x30



SEBO VACUUM CLEANER WARRANTY

Five Years Motor - Three Years Non-Wear Parts - One Year Labor

1. Your authorized SEBO dealer or SEBO will provide the original product purchaser with replacement of Non-Wear Parts which fail due to a material or workmanship defect for a period of three (3) years from the original date of purchase of new product. SEBO America will provide a five (5) year warranty on suction motors and brush drive motors.
2. SEBO will repair (or will cover labor charges associated with repair) a defective SEBO vacuum cleaner or power head at no cost to the original purchaser, within one (1) year of original purchase of new product.
3. SEBO America or an authorized SEBO dealer must complete all warranty repairs.
4. To locate an authorized SEBO dealer in your area, or to register a warranty claim in the **United States of America, please call SEBO America at (303) 792-9181.**
5. To locate an authorized SEBO dealer in your area, or to register a warranty claim in **Canada, please call Floor Care Equipment, Ltd. at (403) 250-5005.**
6. The warranties provided for above apply exclusively to SEBO Vacuum Cleaners and power heads which are used residentially. No warranty is provided for SEBO Vacuum Cleaners used commercially.
7. The Wear Parts excluded from warranty coverage include filter bags, motor protection filters, exhaust filters, the cable (external cord), the hose, the crevice nozzle, the upholstery nozzle and all of the optional attachments. [See "Optional Attachments" on page 5 of this manual]. The Wear Parts excluded from warranty coverage on the ET power heads include the brush rollers, the front bottom plate and the rear bottom plate.
8. This warranty applies only while your SEBO Vacuum Cleaner is physically located within the United States of America and its territories or Canada.
9. The purchase receipt showing the date, price, and item of purchase is the initial document of proof of purchase and determines the validity of warranty. To be certain that your warranty claim can be processed as quickly and efficiently as possible, please retain your original purchase receipt and mail in the warranty card provided with your new SEBO vacuum cleaner.
10. This warranty gives you specific legal rights. You may also have other legal rights, which vary from state/province to state/province.

EXCLUSIVE REMEDY: The remedies provided under the terms of this Warranty are the purchaser's exclusive remedies and are in lieu of any other remedies otherwise available.

THE WARRANTY DOES NOT COVER:

- Used or secondhand products.
- Products outside of the warranty period.
- Items not manufactured by SEBO.
- Normal maintenance service.
- Equipment damaged by improper use, accident, other casualty or negligence.
- Machines equipped with nonauthorized attachments or modifications.
- Machines on which the serial number has been altered or removed.

LIMITATIONS AND EXCLUSIONS:

SEBO MAKES NO OTHER REPRESENTATIONS OR WARRANTIES, EXPRESSED OR IMPLIED AND SPECIFICALLY EXCLUDES THE IMPLIED WARRANTIES OF MERCHANTABILITY AND FITNESS FOR A PARTICULAR PURPOSE.

SEBO WILL NOT BE LIABLE FOR INCIDENTAL OR CONSEQUENTIAL DAMAGES OF ANY KIND OR NATURE.

THIS DISCLAIMER OF IMPLIED WARRANTIES SHALL NOT APPLY TO THE EXTENT SAID DISCLAIMER IS NOT ALLOWED BY APPLICABLE STATE/PROVINCIAL LAW.

To contact SEBO in the United States of America:

SEBO America, LLC
Telephone: (303) 792-9181
Fax: (303) 792-9196
Website: www.sebo.us

To contact SEBO in Canada:

Floor Care Equipment, Ltd.
Telephone: (403) 250-5005
Fax: (403) 250-5057
Website: www.sebocanada.ca



MADE IN GERMANY