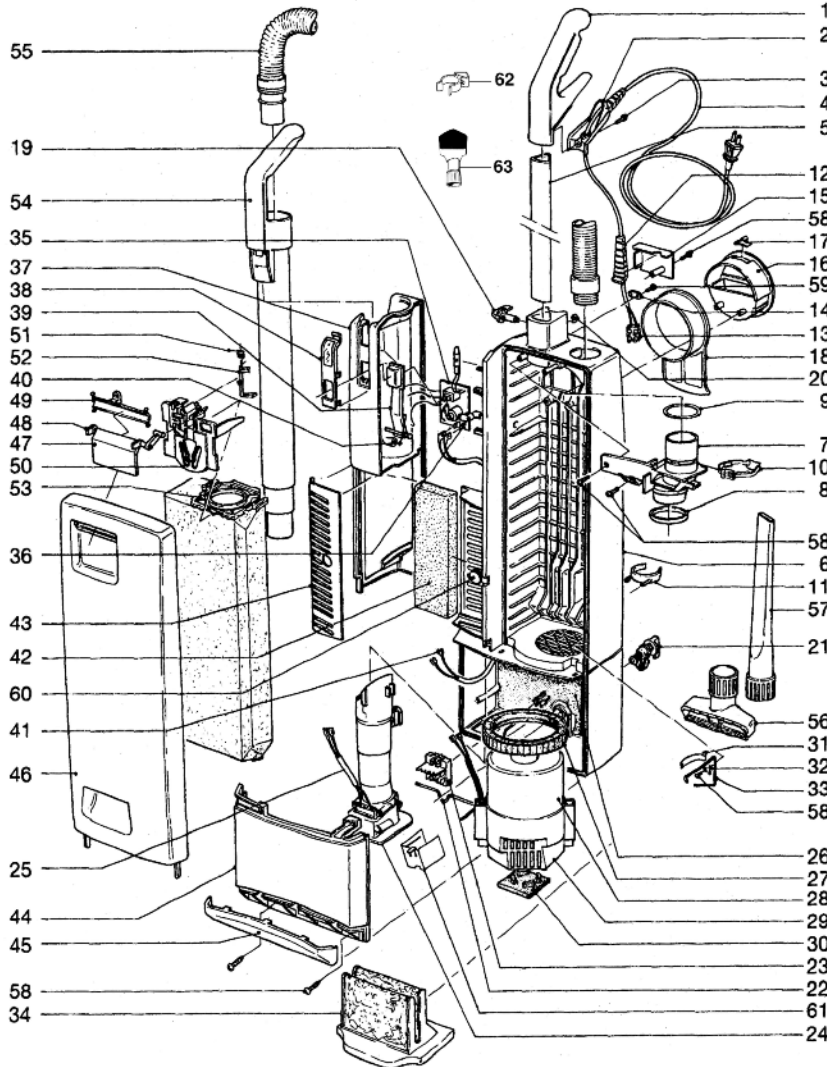


SEBO ELECTRONIC 370

Bag Housing with Handle

#9703AM 370 - Light Gray

#9703AM 370 Light Gray Machine



Pos.	Part #	Description
1	1037EH	Handle grip (incl. pos. 2, 3 + 12)
2	1596HG	Handle cover
3	0127	Screw M4 x 10
4	1954DG	Power supply cord
5	1848	Handle tube
6	1831HG	Dust bag housing
7	1835DG	Internal Cover
8	5289	Seal
9	5842	Seal
10	5424DG	Retaining ring
11	1823HG	Attachment clip
12	5359HG	Grommet
13	0502	Terminal block 2-wire
14	1030UL	Cable clamp
15	1812HG	Cover
16	1814HG	Carrying Handle
17	5146	Stop spring
18	1813HG	Cable hook
20	0161	Clip 4 DIN 6799
21	0850DG	Locking catch
22	1811	Locking rod
23	1265UL	Terminal block
24	1807HG	Connector
25	1836UL	Female contact holder
26	1851	Sound insulation
27	1047	Vac motor seal
28	1843/2	Vac motor 120 V (incl. Pos. 29 + 30)
	05118S	Carbon brush set (After 2001)
	0511/1	Carbon brush set (Before 2001)
29	1821UL	Motor cover
30	1822	Support for motor
31	1027	Leaf spring
32	1073	Clamp
33	1824	Connecting rod
34	1875	Micro-Hospital-Filter
35	1935ER	Printed circuit board w/switch
	1903	PC Board cover
36	1860	Fitting
37	1852HG	Suction pipe cover
38	1869HG	Lens, bag light indicator
39	1830DG	Switch button
40	1862	Return spring
41	1833UL	Internal cable
42	1878	Exhaust filter
43	1802HG	Exhaust filter cover
44	1853SE	Motor cover
45	1804HG	Dust bag housing bumper
46	1846HG	Front cover complete (incl. pos., 47-50)
47	1818DG	Cover release
48	6040	Seal, cover release
49	1819	Bearing cover
50	1847	Bag holder, complete (incl. pos. 51 + 52)
51	5091	Safety catch spring
52	1817	Safety catch
53	5093AM	Filter bag
54	5045DG	Extension Tube
55	5040SB	Hose - silver, complete
56	1491DG	Upholstery nozzle
57	1092DG	Crevice Nozzle
58	0102	Screw 3.9 x 13
59	0103	Screw 3.9 x 16
60	1884HG	Retaining button
61	1524	Terminal block cover
62	1081DG	Mounting clip with screw
63	1387DG	Dusting brush

SEBO ELECTRONIC 370

Power Head

#9703AM 370 - Light Gray

#9703AM 370 Light Gray Machine

Pos.	Part #	Description
100	2543HG	Chassis
101	2005ER	Metal plate set for 370
102	2522HG	Bumper
103	2525	Axle
104	2528OR	Foot pedal - orange
105	2010	Axle spring
106	2014	Axle clamp
107	2614HG	Wheel, complete
108	2524	Pile adjustment axle
109	2608HG	Pile adjustment wheel
110	2622HG	Pile adjustment knob
111	4019	Spring
112	2241UE	Brush motor 120 V, 150 W
	05095S	Carbon brush set
	0512/1	Carbon brush set for 2241ER (Before 2001)
113	2025	Motor pulley
114	2049	Drive belt
115	2609UL	Swivel neck assembly
116	2611UL	Wire, swivel neck
117	2602HG	Swivel neck cover
118	2467	Plastic bearing inside
119	0155	Washer
120	2613	Swivel Support
121	2624	Micro switch support, cpl.
122	0531	Micro-switch
123	2605	Switch. lever
124	0849UL	Wire on neck to switch
125	2572ER	Electronic controller
126	2030ER	Brush assembly, cpl. (incl pos. 127)
127	2046	Brush strip
128	2047	Bearing block- right hand
129	2091	Bearing block- left hand
130	2458	Brush roller pulley
131	2653HG	Support lever with spring
133	2623AM	Cover, complete
134	2542	Brush strip cover w/screw
135	0111TL	Screw AM5 x 30
136	0102	Screw 3.9 x 13
137	0103	Screw 3.9 x 16
138	0105	Screw 3.9 x 19
139	0174	Screw 3.9 x 22
140	0141	Locking washer

