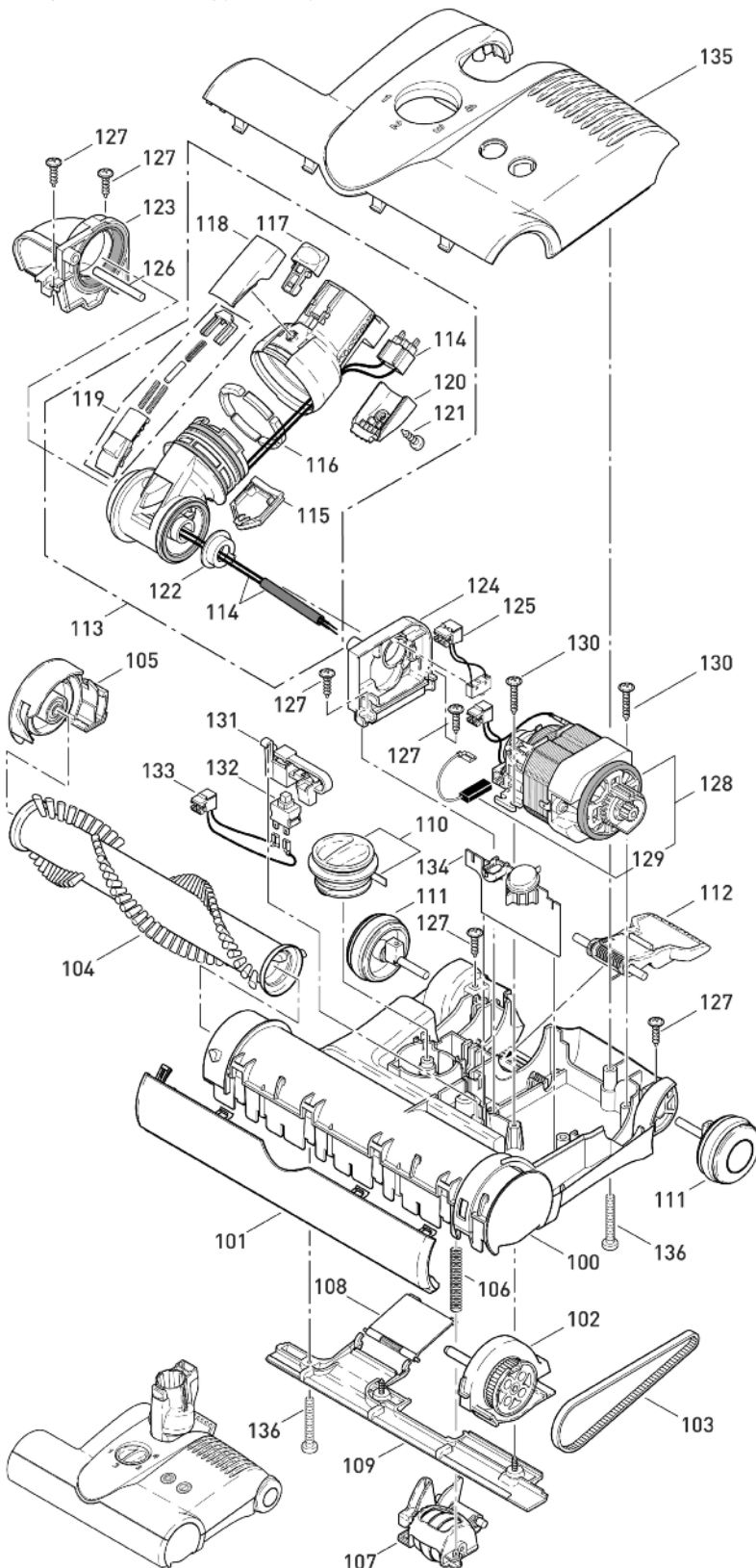


SEBO ET-1 POWER HEAD

- # 9258AM ET-1 - White - 12 inch
- # 9272AM ET-1 - Orange - 12 inch
- # 9299AM ET-1 - Red - 12 inch
- # 9951AM ET-1 - Black - 12 inch



#9258AM ET-1 White Machine

Pos.	Part #	Description
100	2324DG	Chassis ET-1
101	2302DG	Bumper, complete
102	2314DG	Bearing block, left, complete
103	2923	Belt 333 3M HTDII-6
104	5010AM	Brush roller, complete
105	2313DG	Bearing block, right, complete
106	2929	Spring
107	2316DG	Pile adjustment assembly, cpl.
108	2909V0	Access door ET w/axle & spring
109	2304DG	Rear bottom plate, complete
110	2931DG	Pile adjustment button
111	2306DG	Wheel, complete
112	2937OR	Foot pedal
113	2307DG	Swivel neck assembly, complete
114	0876ER	Wiring swivel neck
115	2947DG	Cover, TS-neck
116	2950ER	Segments, metal (6 pc. set)
117	1737DG	Release button w/leaf spring
118	2952DG	Button cover, TS-neck
119	2945DG	Swivel neck slide
120	2951DG	Socket cover, TS-neck
121	01027	Screw F 3.9x9.5
122	2954	Swivel neck bearing
123	2311	Swivel neck support, right
124	2312	Swivel neck support, left
125	0880	Wiring swivel neck switch
126	2928	Axle
127	01021	Screw F 3.9x13
128	2973ER	Brush motor 120V, 175W
129	05141S	Carbon brush set
130	01020	Screw F 3.9x21
131	2958ER	Lever w/leaf spring
132	05114	Switch 2 - pole
133	0881	Wire
134	2983ER	Printed circuit board ET-1 - 175W
135	2326GW	Power head cover, ET-1 - white
136	0176TL	Screw AM 4x30



Central Vacuum Adapter

- 137 2780AM Central Vac Adapter for ET-C, ET-H, ET-1, ET-2 and DISCO power heads. 35" cable, 1 1/4" or 1 3/8" diameter fitting.

#9272AM ET-1 Orange Machine Exceptions

- 135 2326VOET Power head cover, ET-1 - orange

#9299AM ET-1 Red Machine Exceptions

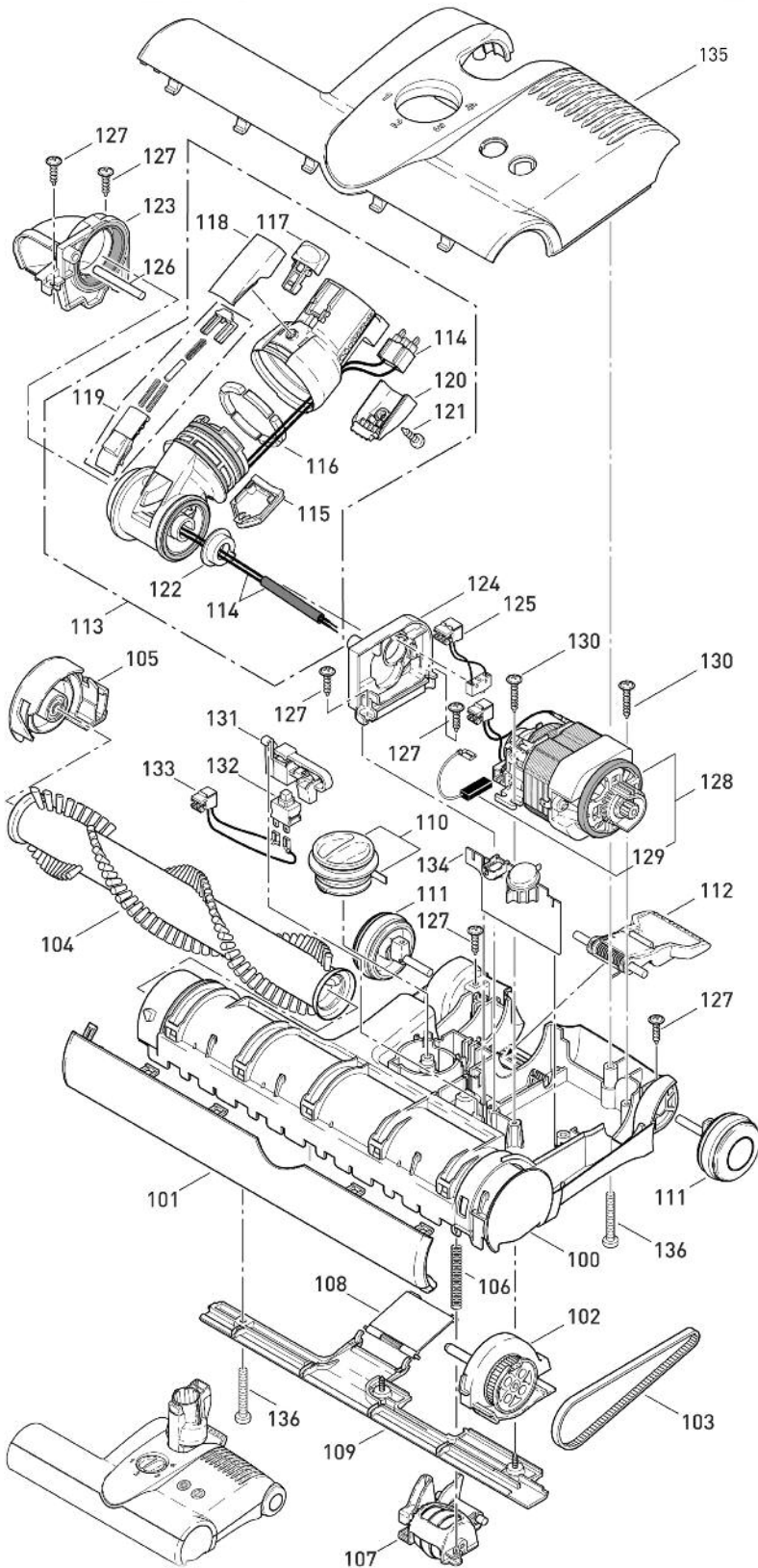
- 135 2326DR Power head cover, ET-1 - red

#9951AM ET-1 Onyx Machine Exceptions

- 110 2931SB Pile adjustment button - silver
- 135 2326SWET Power head cover, ET-1 - black

SEBO ET-2 POWER HEAD

9259AM ET-2 - White - 15 inch
 # 9250AM ET-2 - Red - 15 inch



#9259AM ET-2 White Machine
 Pos. Part # Description

100	2325DG	Chassis ET-2
101	2303DG	Bumper, complete
102	2314DG	Bearing block, left, complete
103	2923	Belt 333 3M HTDII-6
104	2838AM	Brush roller, complete
105	2313DG	Bearing block, right, complete
106	2929	Spring
107	2316DG	Pile adjustment assembly, cpl.
108	2909VO	Access door ET w/axle & spring
109	2305DG	Rear bottom plate, complete
110	2931DG	Pile adjustment button
111	2306DG	Wheel, complete
112	2937OR	Foot pedal
113	2307DG	Swivel neck assembly, complete
114	0876ER	Wiring swivel neck
115	2947DG	Cover, TS-neck
116	2950ER	Segments, metal (6 pc. set)
117	1737DG	Release button w/leaf spring
118	2952DG	Button cover, TS-neck
119	2945DG	Swivel neck slide
120	2951DG	Socket cover, TS-neck
121	01027	Screw F 3.9x9.5
122	2954	Swivel neck bearing
123	2311	Swivel neck support, right
124	2312	Swivel neck support, left
125	0880	Wiring swivel neck switch
126	2928	Axle
127	01021	Screw F 3.9x13
128	2974ER	Brush motor 120V, 200W
129	05141S	Carbon brush set
130	01020	Screw F 3.9x21
131	2958ER	Lever w/leaf spring
132	05114	Switch 2 - pole
133	0881	Wire
134	2984ER	Printed circuit board ET-2 - 200W
135	2341GWET	Power head cover, ET-2 - white
136	0176TL	Screw AM 4x30



Central Vacuum Adapter

137 2780AM Central Vac Adapter for ET-C, ET-H, ET-1, ET-2 and DISCO power heads. 35" cable, 1 1/4" or 1 3/8" diameter fitting.

#9250AM ET-2 Red Machine Exceptions

135 2341DRET Power head cover, ET-2 - red