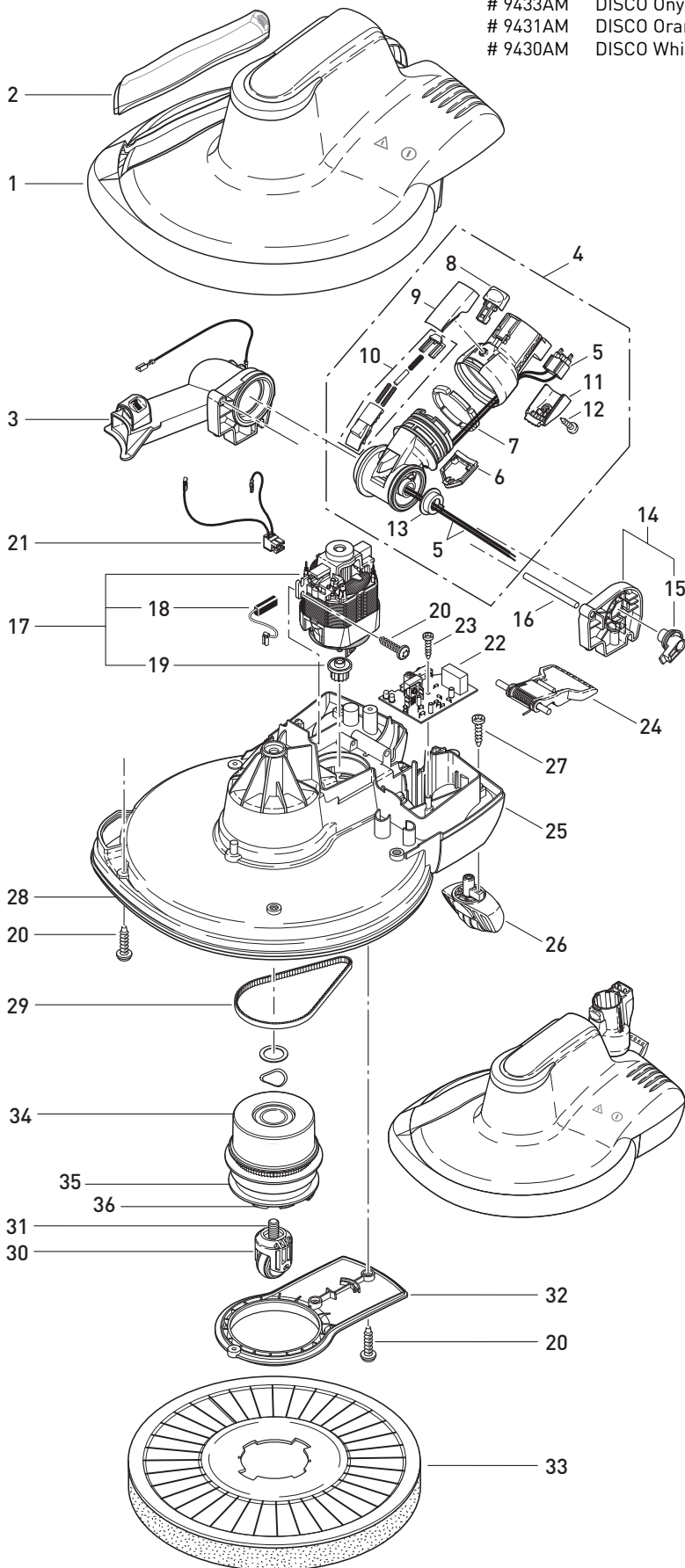


DISCO FLOOR POLISHER POWER HEAD

9433AM DISCO Onyx
 # 9431AM DISCO Orange
 # 9430AM DISCO White



Power Head

9433AM DISCO Onyx Machine (Black)

Pos.	Part #	Description
1	3204SWSE1	Power head cover, black
2	3205TG	Suction duct access cover
3	3258DG	Swivel neck support
4	3226DG	Turning swivel neck
5	0876ER	Wiring for swivel neck
6	2947GS	Cover
7	2950ER	Bearing segments
8	1737GS	Release button w/leaf spring
9	2952GS	Button cover, TS-neck
10	2945GS	Swivel neck slide
11	2951GS	Socket cover, TS-neck
12	01027	Screw F 3.9x9.5 DIN 7981
13	2954	Swivel neck bearing
14	3257ER	Swivel neck support l.h.
15	3238	Switch lever
16	2938ER	Axle
17	3252ER	Motor 120V (incl pos.18)
18	05141S	Carbon brush set
19	3222	Motor pulley
20	01016	Screw 4x16 T20
21	3245	Internal cable
22	3242ER	Printed circuit board 120V
23	01029	Screw C 2.9x13
24	2937OR	Foot pedal
25	3201DG	Chassis HSB, dark gray
26	3254DG	Rear Castor
27	0102	Screw 3.9x13
28	3268ER	Sealing strip
29	3221	Drive belt
30	3220ER	Center castor
31	01033	Screw M 10x25
32	3202DG	Belt drive cover
33	3230ER00	SEBO floor pad, blue
34	3250ER	Centrifuge
35	3219	Seal
36	3281ER	Pad retainer

9431AM DISCO Orange Machine Exception

1	3204VOSE	Power head cover, orange
---	----------	--------------------------

9430AM DISCO White Machine Exception

1	3204GWSE	Power head cover, white
---	----------	-------------------------